

METROPOLITAN™

Live your life, love your shower.

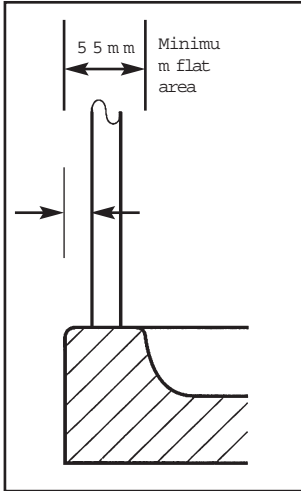
Folding Door *and* Side Panel

Fitting Instructions

Inspirational
Shower Enclosures

CHECK THAT

- There are no electrical cables or pipework behind the surface where drilling is required to fix the enclosure.



Recommended position of enclosure on shower

- The wall to which the enclosure is to be fitted is reasonably flat and that the shower base is level and stable.
- The dimensions of the shower base are suitable for the enclosure.
- Minimum flat area of the tray rim to be 55mm.
- The enclosure does not overhang the edges of the shower base.

Ensure that the shower base is adequately sealed to the adjacent walls before the enclosure is fitted. Correct sealing is essential - Please follow the instructions.

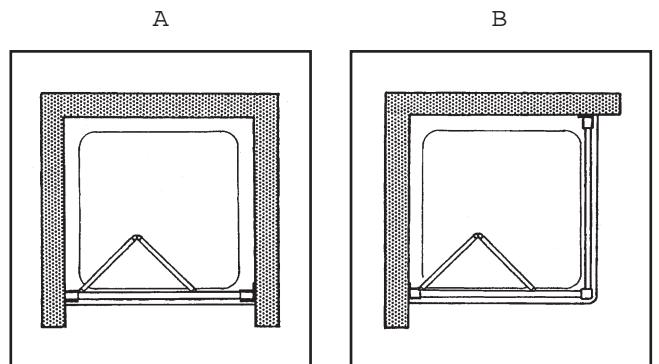
The screws and wall plugs provided are for use on masonry type walls. If the enclosure is to be fitted on another type of wall, e.g. plasterboard, then the appropriate fixings should be obtained.

Failure to follow the instructions may invalidate the guarantee.

PRODUCT DIMENSIONS

Refer to outer packaging for product details.

| PRODUCT SIZE | DIMENSIONS A DOOR IN ALCOVE | DIMENSIONS B DOOR & SIDE PANEL |
|--------------|--------------------------------|-----------------------------------|
| 760 | 710-760 | 710-735 |
| 800 | 760-810 | 760-785 |
| 900 | 860-910 | 860-885 |
| 1000 | 960-1010 | n/a |



TOOLS REQUIRED

Power drill.
Spirit level.

TOOLS SUPPLIED

6mm masonry drill bit.
Pozidrive screw driver (PZ 2).
Screw retaining tube.

MATERIALS REQUIRED (NOT SUPPLIED)

Silicone sealant.

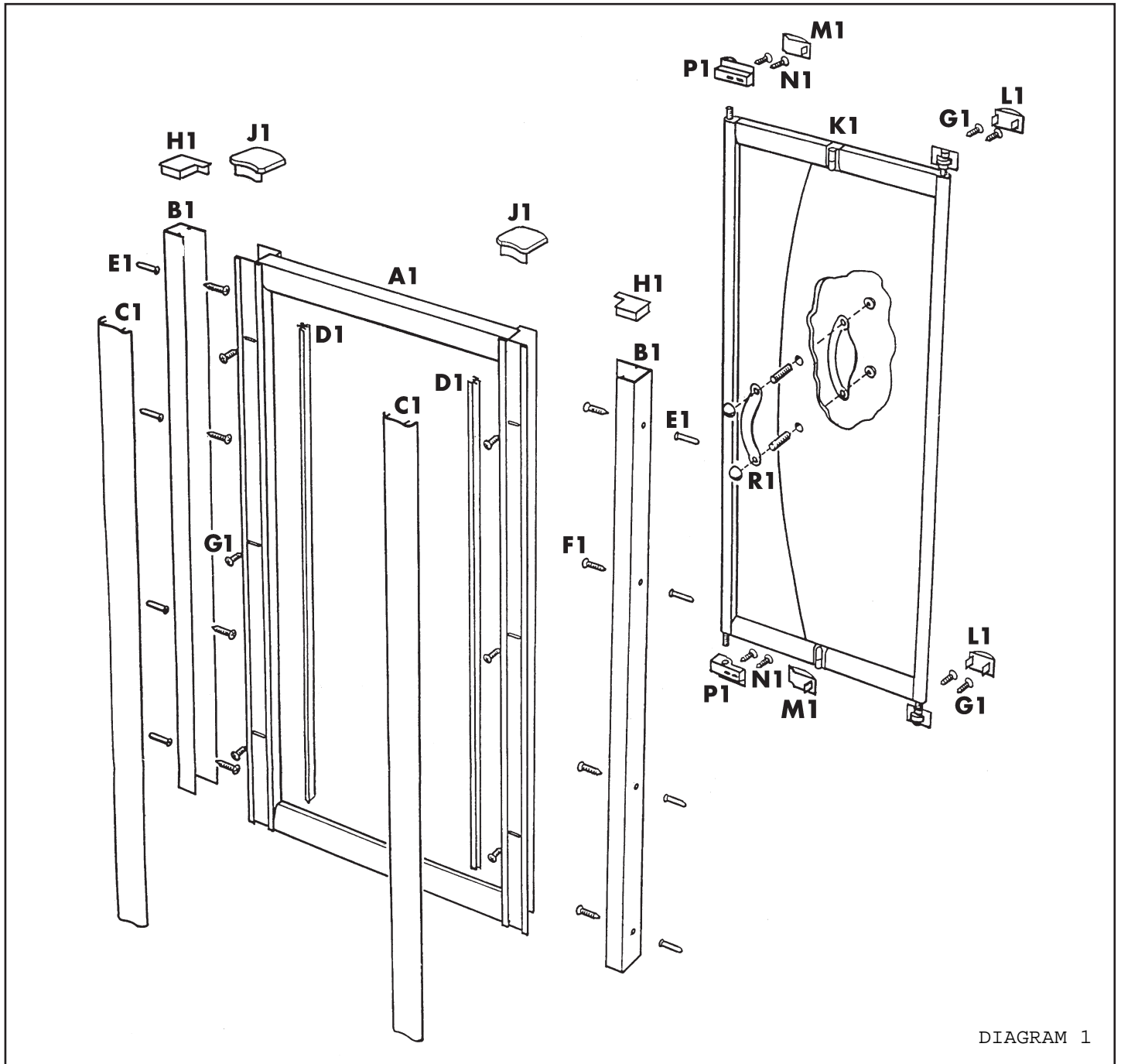


DIAGRAM 1

FOLDING DOOR FRAME PACK (SEE DIAGRAM 1)

| | | | | |
|----|--------------------------|------|--------|--|
| 1 | Bi-fold door outer frame | (A1) | 1 each | Left & right hand channel top capping |
| 2 | Wall channels | (B1) | (H1) | |
| 2 | Outer cover strips | (C1) | 1 each | Left & right hand frame top capping (J1) |
| 2 | Door seals | (D1) | 2 | Runner cover caps (L1) |
| 8 | Wall plugs | (E1) | 2 | Pivot block cover caps (M1) |
| 8 | No 8 x 1 1/4" screws | (F1) | 4 | No 8 x 7/8" screws (N1) |
| 10 | No 8 x 3/8" screws | (G1) | 1 each | Left & right hand pivot block (P1) |

FOLDING DOOR PANEL PACK (SEE DIAGRAM 1)

| | | |
|---|-----------------------------|------|
| 1 | Bi-fold door panel assembly | (K1) |
|---|-----------------------------|------|

SIDE PANEL COMPONENT CHECK LIST

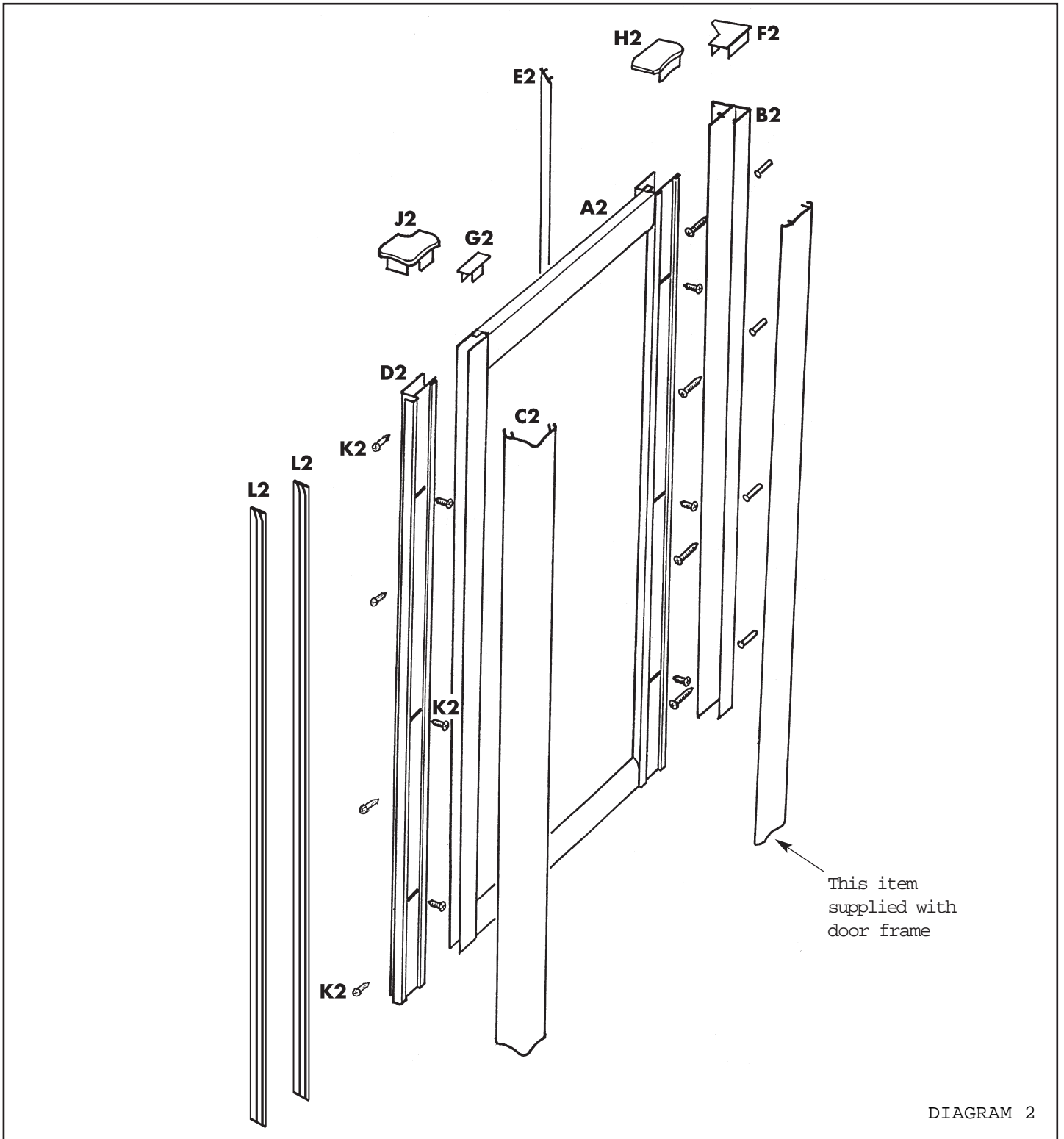


DIAGRAM 2

SIDE PANEL PACK (SEE DIAGRAM 2)

- | | | | | | |
|---|----------------------------|------|---|------------------------|------|
| 1 | Side panel assembly | (A2) | 1 | Frame top capping | (G2) |
| 1 | Wall channel | (B2) | 1 | Frame top capping | (H2) |
| 1 | Corner outer cover strip | (C2) | 1 | Corner top capping | (J2) |
| 1 | Corner post | (D2) | 7 | No 8 x 3/8" screws | (K2) |
| 1 | Wall channel capping strip | (E2) | 2 | Angled retaining clips | (L2) |
| 1 | Channel top capping | (F2) | | | |

NOTE

The door can be fitted either way to give a left or right hand opening. The pivot blocks (P1) denote the fixed side of the bi-fold door (Diagram 5).

- 1 Slot the wall channels (B1) onto the door frame assembly (A1). Offer the complete assembly to the shower tray and locate into position. Making sure that the door is set back

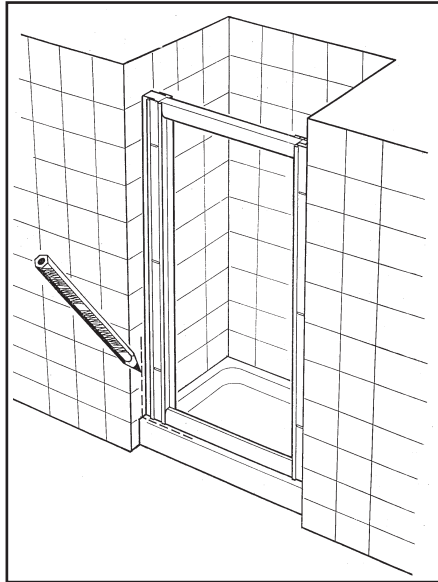


Diagram 3

from the edge of the shower tray (as per page 2), mark the position of the wall channels at the base and then remove the assembly (Diagram 3).

- 2 Remove the wall channels from the frame and position on the shower tray against the marks made previously. Using a spirit level to check that the channels are vertical, mark through the adjustment slots to indicate the positions for drilling (Diagram 4).
Note: When drilling ceramic tiles, it can be advantageous to cover the tiles with masking tape.

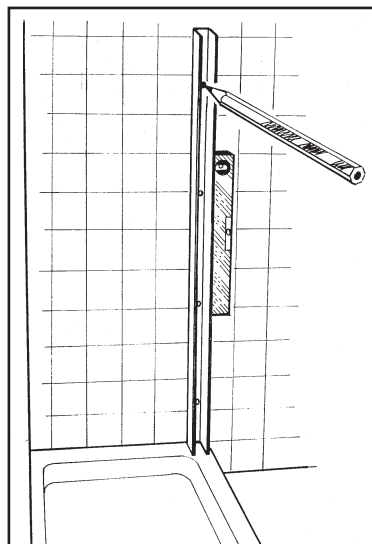


Diagram 4

- 3 Remove wall channels and drill fixing holes using the 6mm masonry drill bit provided and insert the wall plugs (E1).
Note: We recommend that suitable eye protection be worn when using power tools.

- 4 Replace the wall

channels onto the frame assembly and reposition the unit onto the shower tray. Run a bead of silicone sealant down the back of each wall channel encircling the screw holes, then screw the channels to the wall using 8 No 8 x 1 1/4" screws (F1) (Diagram 5).

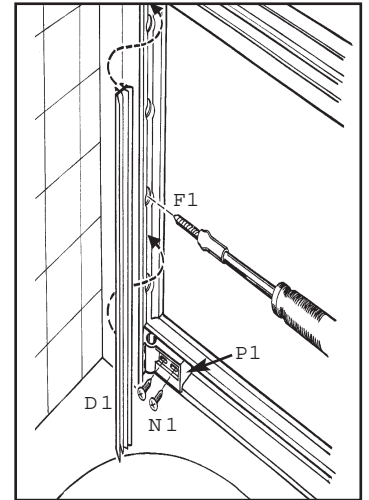


Diagram 5

- IMPORTANT - To assist with locating the screws into the wall plugs through the frame assembly use the screwdriver and screw retaining tube provided. Fit tube over the screwdriver leaving minimum amount of tube protruding to slide over screw head.
Note: Use screwdriver with tube to 'start' screws only. Remove tube to tighten in position.

- IMPORTANT - Ensure frame uprights are vertical and in line with each other before final fixing.

- 5 Fasten frame assembly to wall channels through adjustment slots 3 each side using 6 No 8 x 3/8" screws (G1). The adjustment slots are used to position the frame central within the alcove and to ensure the frame uprights are vertical (Diagram 6). Fit door seals (D1) (Diagram 5).

- 6 Locate door panel assembly into the fixed frame as follows:
 - a) Fit bottom pivot block (P1) to frame bottom rail and fasten using 2 No 8 x 7/8" screws (N1) (Diagram 5).
 - b) Place top pivot block (P1) onto door panel assembly (K1).
 - c) Fit panel assembly into bottom pivot block and locate top pivot block in position on frame top rail. (Diagram

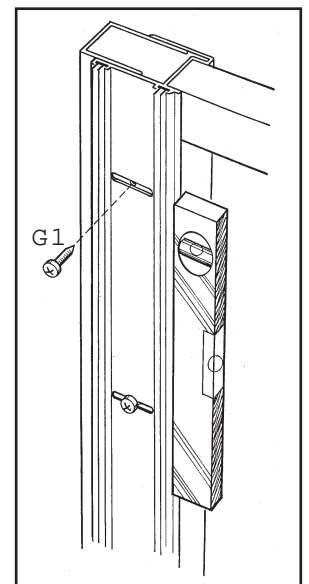


Diagram 6

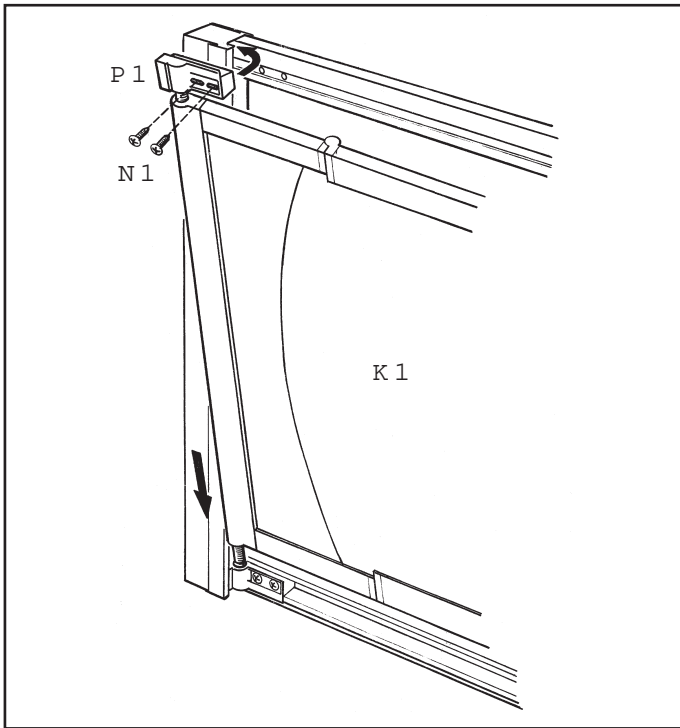


Diagram 7

7). Locate thumb wheel adjusters into top and bottom runners. Fasten top pivot block in position using 2 No 8 x 7/8" (N1) and thumb wheel adjusters to runners using 4 No 8 x 3/8" screws (G1) (Diagram 8).

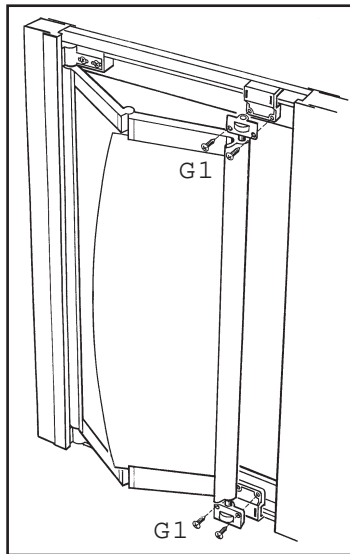


Diagram 8

- IMPORTANT - Do not overtighten

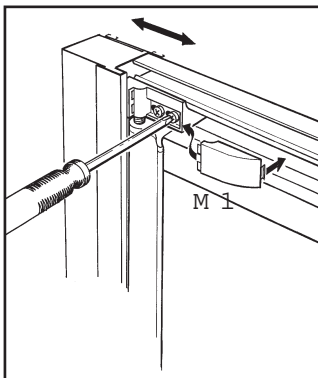


Diagram 9

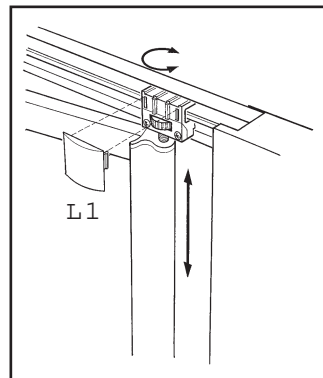


Diagram 10

screws G1.

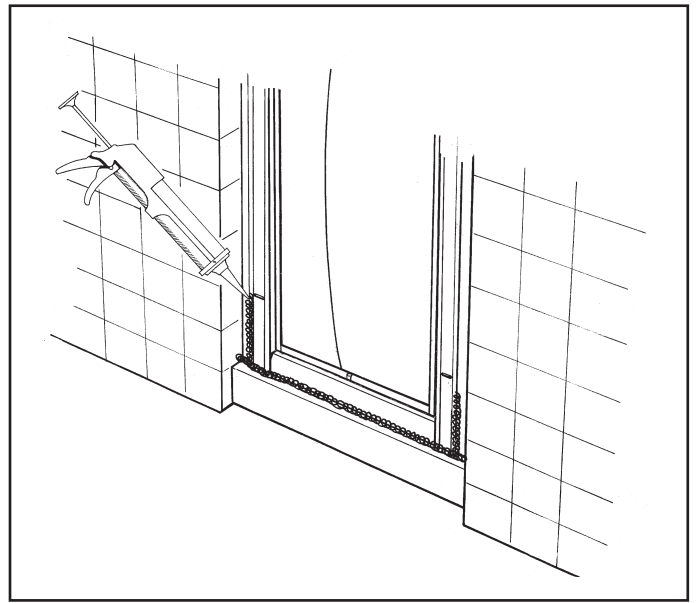


Diagram 11

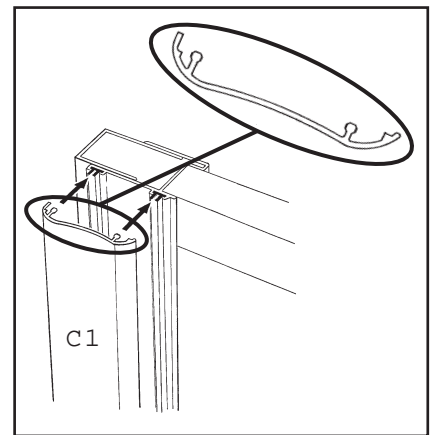


Diagram 12

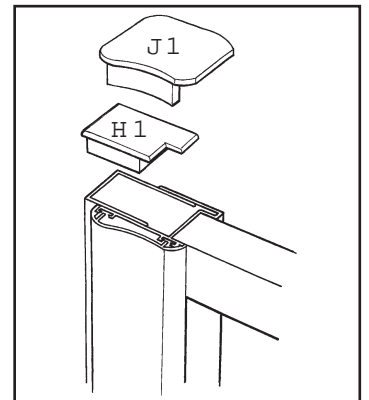


Diagram 13

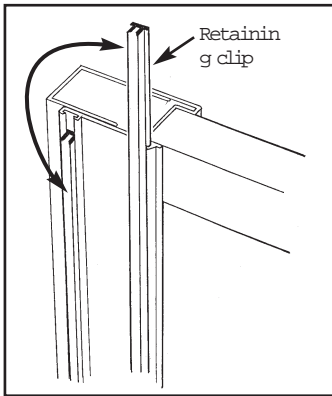


Diagram 14

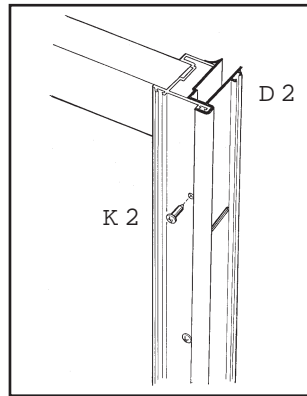


Diagram 15

1 Determine to which side of the door assembly the side panel is to be fitted. The pivot blocks (P1) denote the fixed side of the bi-fold door (Diagram 5). Remove both outer cover retaining clips from the doorframe upright and relocate in the side panel frame upright (Diagram 14).

2 Position corner post (D2) on door frame upright and fasten using 4 No 8 x 3/8" screws (K2) (Diagram 15).

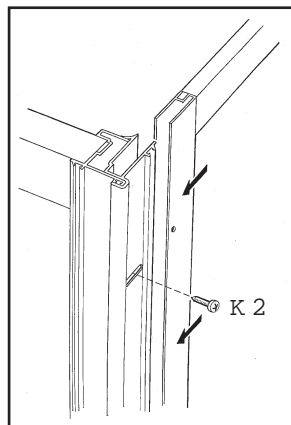


Diagram 16

3 Locate side panel assembly into corner post on door frame assembly and fasten using 3 No. 8 x 3/8" screws (K2) (Diagram 16).

4 Slot a wall channel (B1) into door frame upright.
 Note: One of the channels supplied with the door frame becomes redundant when fitting a side panel assembly. Slot the side panel wall channel (B2) into side panel upright then lift the complete assembly onto the shower tray and locate in position. Mark the position of the wall channels at the base, then remove the assembly (Diagram 17).

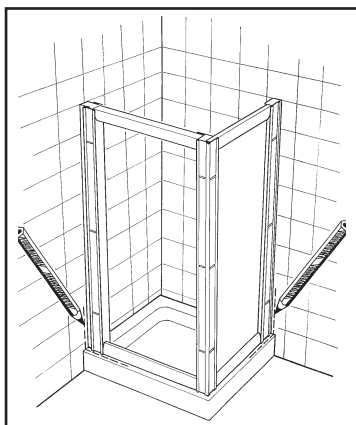


Diagram 17

Note: The

enclosure must not overhang the edges of the shower tray, and the distance in from the edge should be equal all round (as per page 2).

5 Remove the wall channels from the frame and side panel and position on the shower tray against the marks made previously.

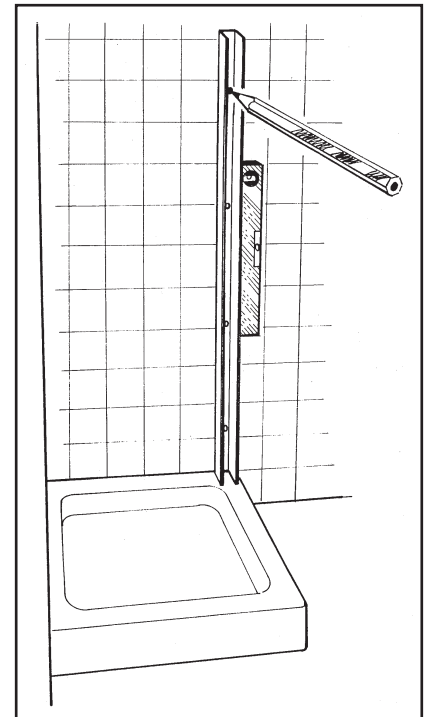


Diagram 18

Using a spirit level to check that the channels are vertical, mark through the slots to indicate the positions for drilling (Diagram 18).
 Note: When drilling ceramic tiles, it can be advantageous to cover the tiles with masking tape.

6 Drill fixing holes using the 6mm masonry drill bit provided and insert wall plugs supplied with door frame pack (E1).
 Note: We recommend that suitable eye protection be worn when using power tools.

7 Run a bead of silicone sealant down the back of each wall channel, encircling the screw holes, then screw the channels to the wall using 8 No 8 x 1 1/4" screws supplied with doorframe pack (F1).

8 Position the door frame and side panel assembly on the shower tray and locate in the wall channels. Set enclosure in correct position using a spirit level and adjustment provided by the adjustment slots ensuring the assembly is vertical in both

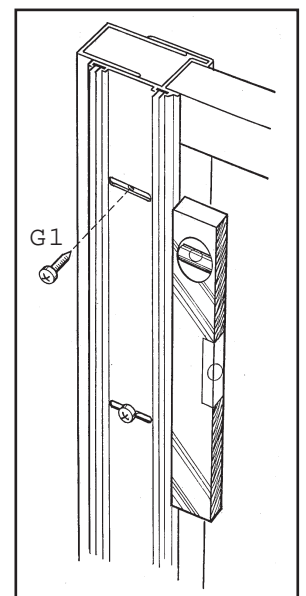


Diagram 19

directions. Fasten door frame and side panel to wall channels through adjustment slots 3 each side using 6 No 8 x $\frac{3}{8}$ " screws supplied with door frame pack (G1) (Diagram 19). Fit door seals (D1) (Diagram 5).

- **IMPORTANT** - Ensure frame uprights are vertical and in-line with each other before final fixing.

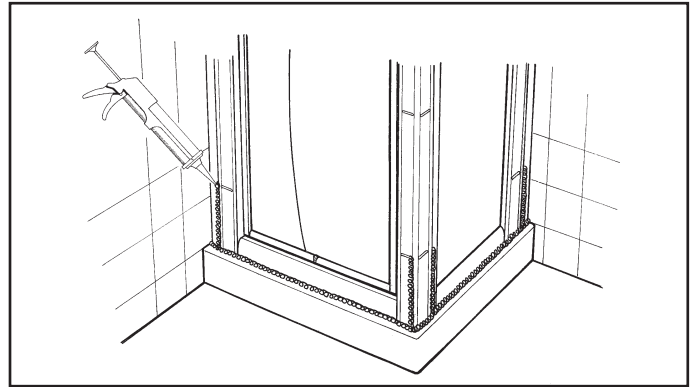


Diagram 21

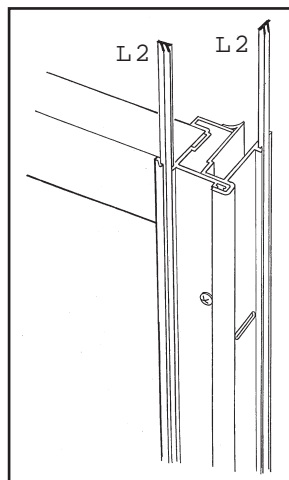


Diagram 20

- 9 Locate angled retaining clips (L2) in door frame and side panel corner post (Diagram 20). Note correct direction of angle clips.

- 10 Locate door panel assembly into the fixed frame as follows:

- a) Fit bottom pivot block (P1) to frame bottom rail and fasten using 2 No 8 x $\frac{7}{8}$ " screws (N1) (Diagram 5).

- b) Place top pivot block (P1) onto door panel assembly (K1).

- c) Fit panel assembly into bottom pivot block and locate top pivot block in position on frame top rail (Diagram 7).

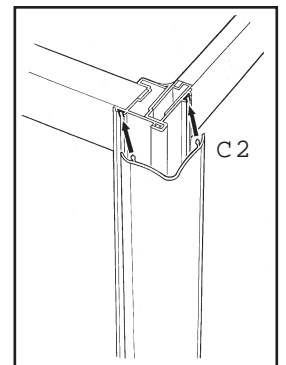


Diagram 22

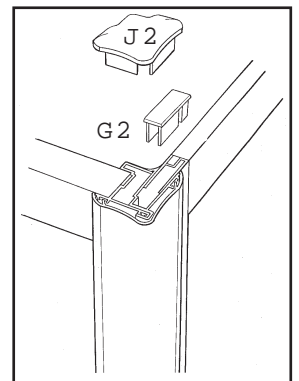


Diagram 23

Locate thumb wheel adjusters into top and bottom runners. Fasten top pivot block in position using 2 No 8 x $\frac{7}{8}$ " (N1) and

PRODUCT MAINTENANCE

The unit can be cleaned using mild detergent and warm water. Abrasive cleaners must not be used.

TROUBLE SHOOTING - FOLDING DOOR

| PROBLEM | CAUSE |
|---|--|
| Door panels not sliding correctly. | a) Door panels not aligned within the frame. b) Thumb wheels not adjusted to best advantage (Instruction 7, Diagrams 9 and 10). |
| Water leaks from under the enclosure enclosure. | a) Shower tray not sealed to adjacent walls before fitting |