

METROPOLITAN™

Live your life, love your shower.

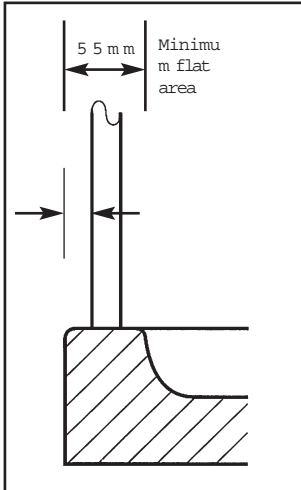
1000 & 1200
Full Opening Door
and
Side Panel

Fitting Instructions

Inspirational
Shower Enclosures

CHECK THAT

- There are no electrical cables or pipework behind the surface where drilling is required to fix the enclosure.



Recommended position of enclosure on shower

- The wall to which the enclosure is to be fitted is reasonably flat and that the shower base is level and stable.
- The dimensions of the shower base are suitable for the enclosure.
- Minimum flat area of the tray rim to be 55mm.
- The enclosure does not overhang the edges of the shower base.

Ensure that the shower base is adequately sealed to the adjacent walls before the enclosure is fitted. Correct sealing is essential - Please follow the instructions.

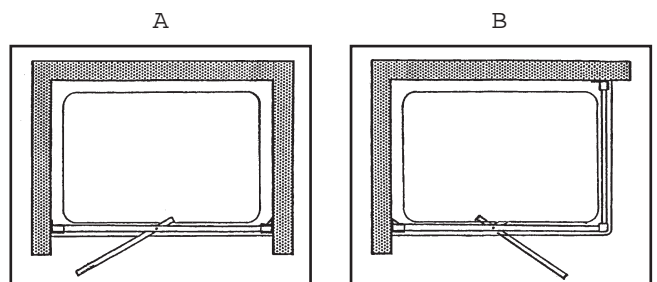
A non-caustic based cleaning agent must be used when cleaning this product. There are no discernable visible defects. Claims for visible defects will not be accepted if found after installation.

The screws and wall plugs provided are for use on masonry type walls. If the enclosure is to be fitted on another type of wall, e.g. plasterboard, then the appropriate fixings should be obtained.

PRODUCT DIMENSIONS

Refer to outer packaging for product details.

PRODUCT SIZE	DIMENSIONS A DOOR IN ALCOVE	DIMENSIONS B DOOR & SIDE PANEL
1000	960-1010	960-985
1200	1160-1210	1160-1185



TOOLS REQUIRED

Power drill.
Spirit level.
Flat head screwdriver

TOOLS SUPPLIED

6mm masonry drill bit.
Pozidrive screw driver (PZ 2).
Screw retaining tube.

MATERIALS REQUIRED (NOT SUPPLIED)

Silicone sealant.

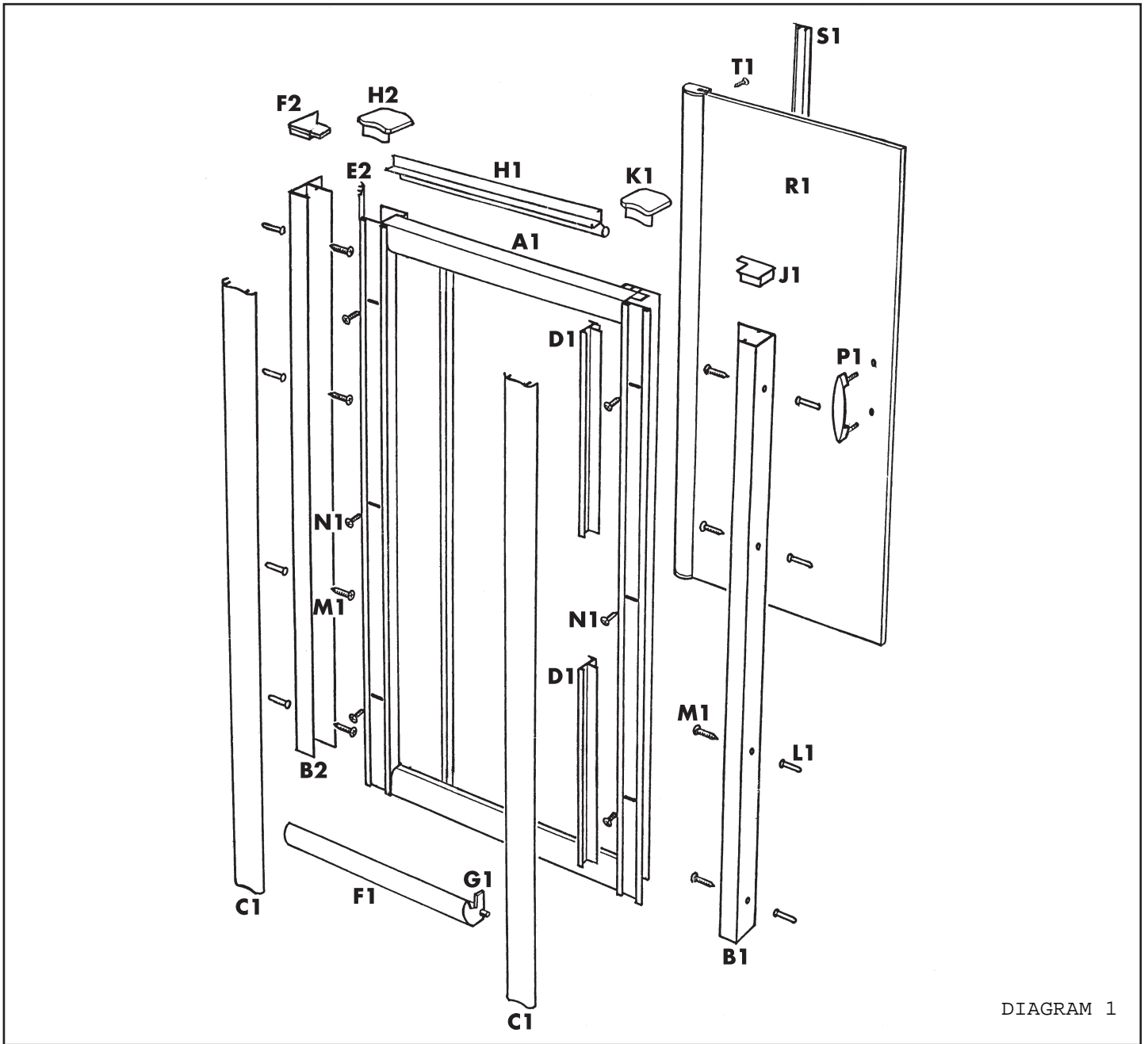


DIAGRAM 1

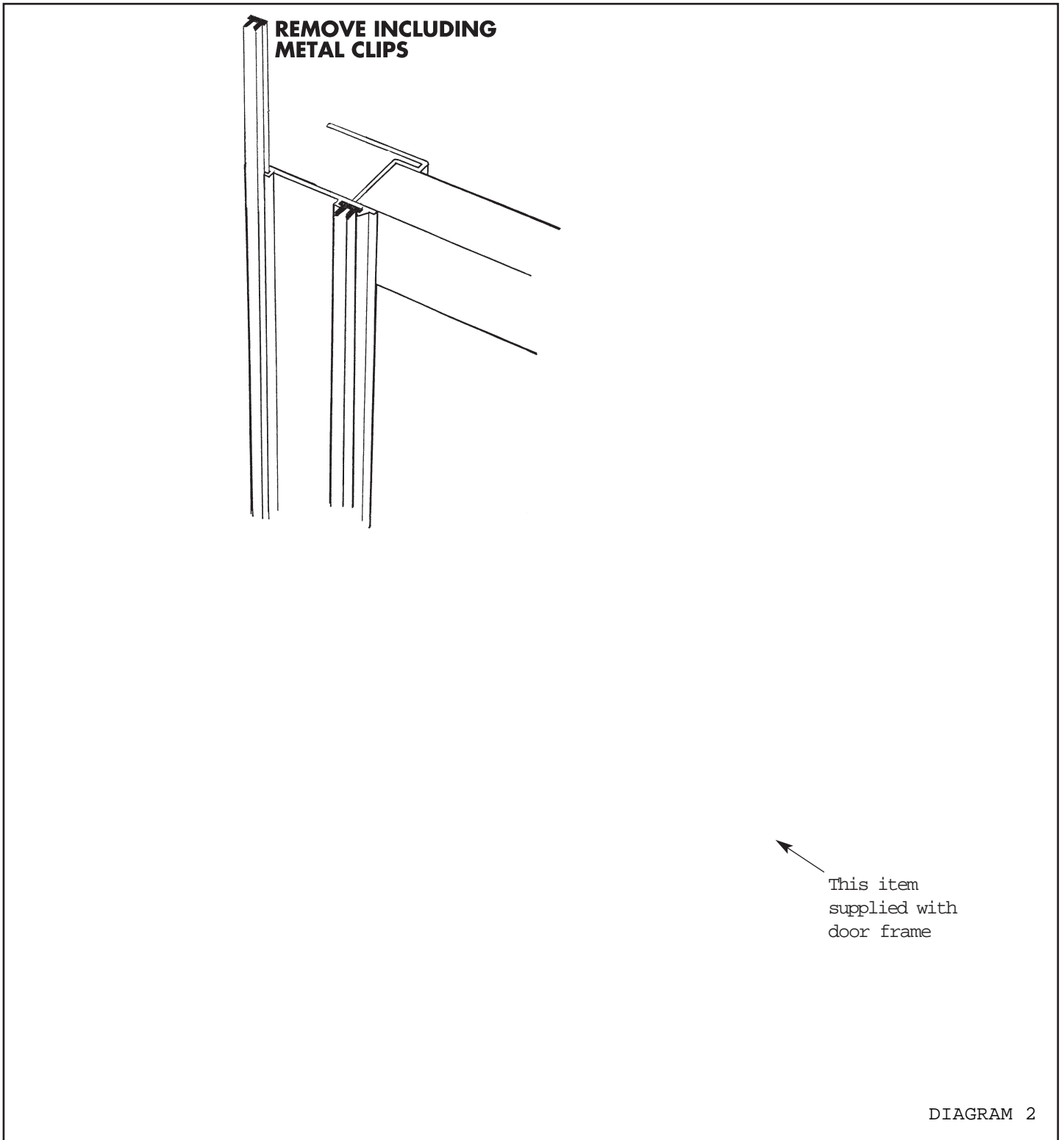
FULL OPENING DOOR FRAME PACK (SEE DIAGRAM 1)

1	Full opening door outer frame	(A1)	1 each	Left & right hand channel top capping
1	Wall channel	(B1)	(J1)	
1	Wall channel	(B2)	1 each	Left & right hand channel top capping
2	Outer cover strips	(C1)	(F2)	
2	Closure frame capping strips	(D1)	1 each	Left & right hand frame top capping (K1)
1	Wall channel capping strip	(E2)	1 each	Left & right hand frame top capping (H2)
1	Water deflector	(F1)	8	Wall plugs (L1)
1	Water deflector arm	(G1)	8	No 8 x 1 ¹ / ₄ " screws (M1)
1	Internal top capping strip	(H1)	6	No 8 x 3 ³ / ₈ " screws (N1)

FULL OPENING DOOR PANEL PACK (SEE DIAGRAM 1)

1	Door panel	(R1)	2	No 8 x 3 ³ / ₄ " counter sink screws (T1)
1	Door panel capping strip	(S1)		

SIDE PANEL COMPONENT CHECK LIST



SIDE PANEL PACK (SEE DIAGRAM 2)

- | | | | | | |
|---|----------------------------|------|---|------------------------|------|
| 1 | Side panel assembly | (A2) | 1 | Frame top capping | (G2) |
| 1 | Wall channel | (B2) | 1 | Frame top capping | (H2) |
| 1 | Corner outer cover strip | (C2) | 1 | Corner top capping | (J2) |
| 1 | Corner post | (D2) | 7 | No 8 x 3/8" screws | (K2) |
| 1 | Wall channel capping strip | (E2) | 2 | Angled retaining clips | (L2) |
| 1 | Channel top capping | (F2) | | | |

NOTE

The door can be fitted either way to give a left or right hand opening.

- 1 Slot the wall channels (B1) and (B2) onto the door frame extended assembly (A1). Offer the complete assembly to the shower tray and locate into position. Making sure that the door is set back

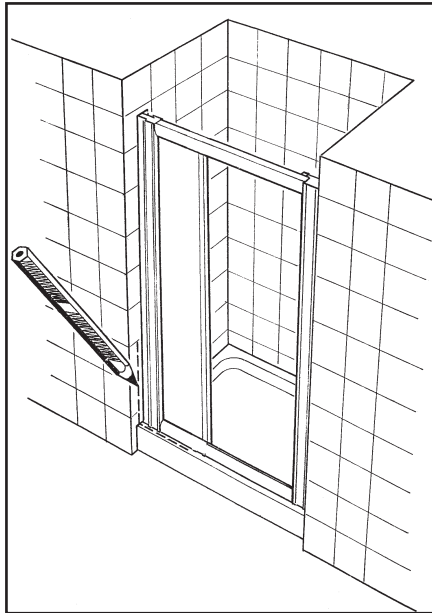


Diagram 3

from the edge of the shower tray (as per page 2), mark the position of the wall channels at the base and then remove the assembly (Diagram 3).

- 2 Remove the wall channels from the frame and position on the shower tray against the marks made previously. Using a spirit level to check that the channels are vertical, mark through the adjustment slots to indicate the positions for drilling (Diagram 4). Note: When drilling ceramic tiles, it can be advantageous to cover the tiles with masking tape.

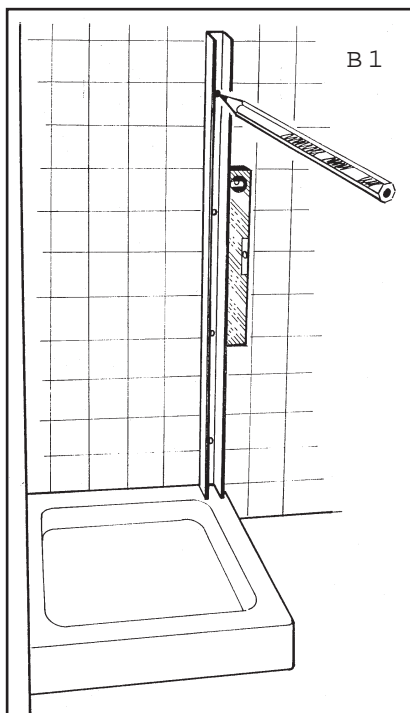


Diagram 4

- 3 Remove wall channels and drill fixing

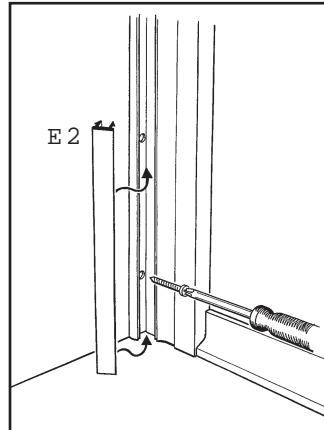


Diagram 5

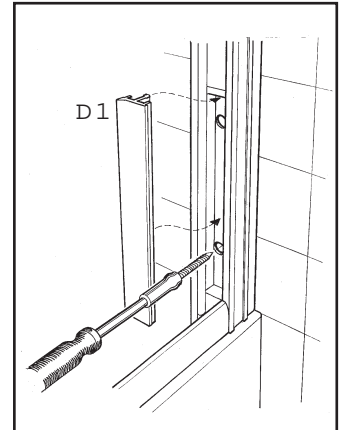


Diagram 6

holes using the 6mm masonry drill bit provided and insert the wall plugs (L1). Note: We recommend that suitable eye protection be worn when using power tools.

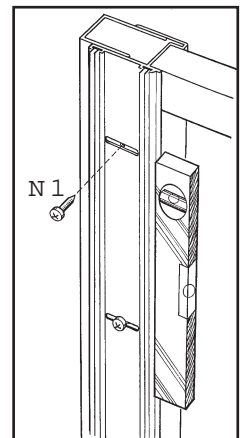


Diagram 7

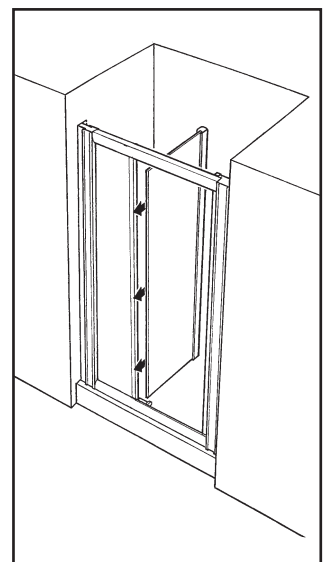


Diagram 8

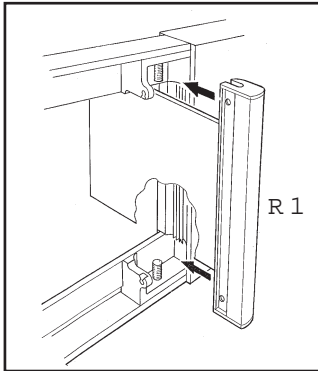


Diagram 9

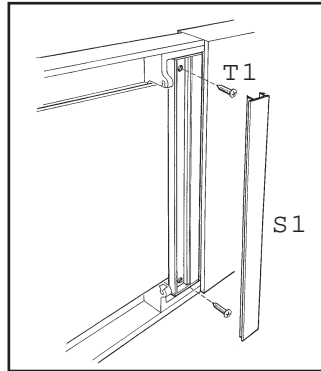


Diagram 10

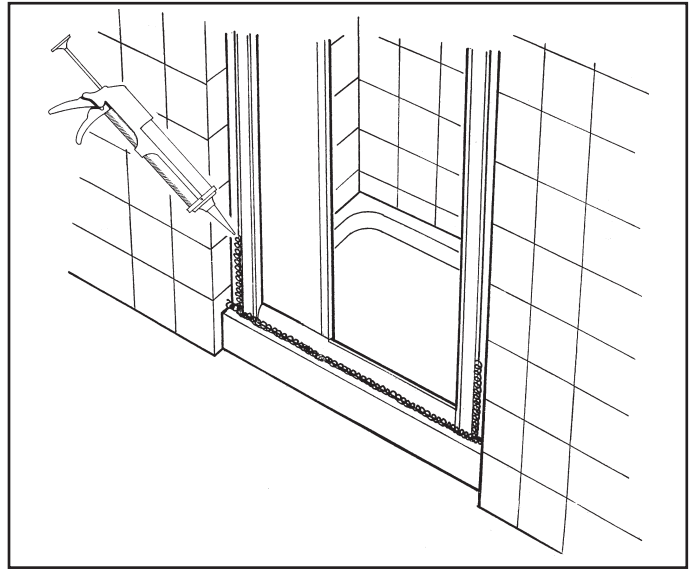


Diagram 13

4 Replace the wall channels onto the frame assembly and reposition the unit onto the shower tray. Run a bead of silicone sealant down the back of each wall channel encircling the screw holes, then screw the channels to the wall using 8 No 8 x 1 1/4" screws (M1) (Diagrams 5 & 6).

- IMPORTANT - To assist with locating the screws into the wall plugs through the frame assembly use the screwdriver and screw retaining tube provided. Fit tube over the screwdriver leaving minimum amount of tube protruding to slide over screw head.

Note: Use screwdriver with tube to 'start' screws only. Remove tube to tighten in position.

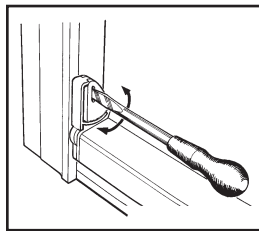


Diagram 11b

- IMPORTANT - Ensure frame uprights are vertical and in line with each other before final fixing.

5 Fasten frame assembly to wall channels through adjustment slots 3 each side using 6 No 8 x 3/8" screws (N1). The adjustment slots are used to position the frame central within the alcove and to ensure the frame uprights are

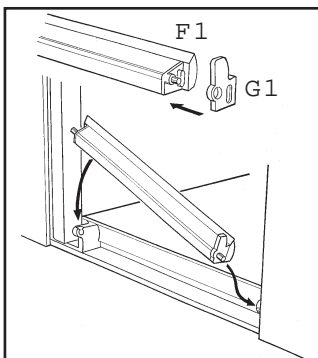


Diagram 11

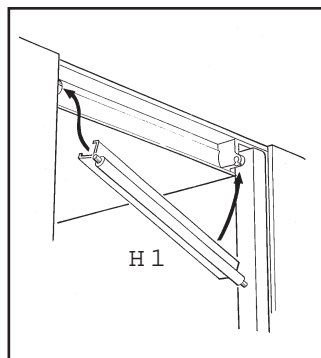


Diagram 12

vertical (Diagram 7).

6 Locate capping (E2) and closure frame capping strips (x2) (D1) (Diagrams 5 & 6).

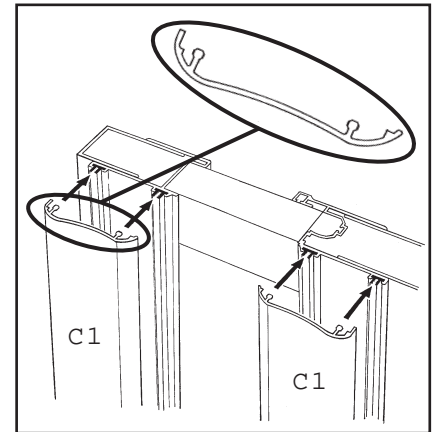


Diagram 14

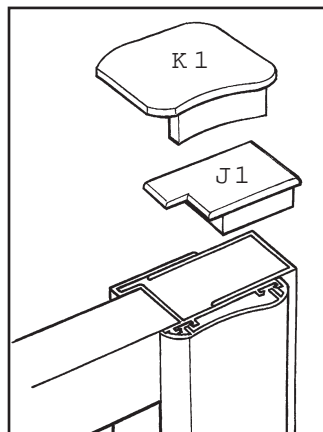


Diagram 15

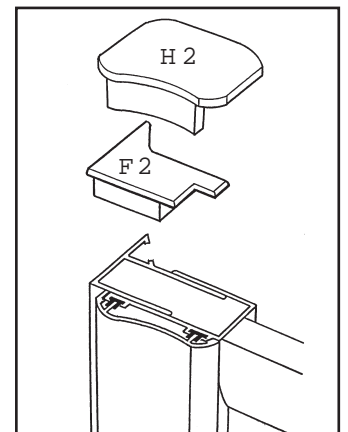


Diagram 16

NOTE

Side panel can only be fitted to the upright adjacent to the door closure features (see Diagram 17).

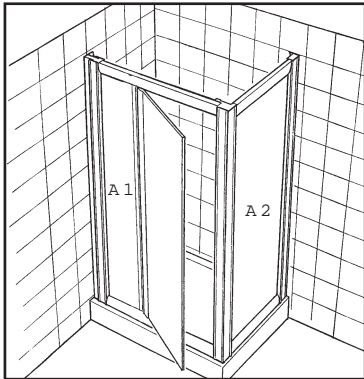


Diagram 17

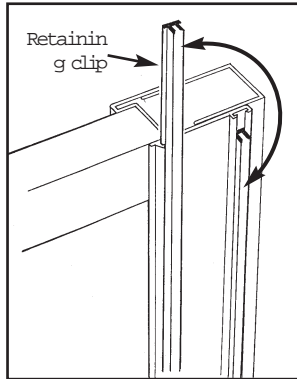


Diagram 18

- 1 Remove both outer cover retaining clips and the 4 spring clips from the door closure upright and relocate in the side panel frame upright

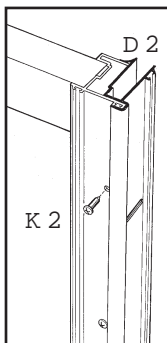


Diagram 19

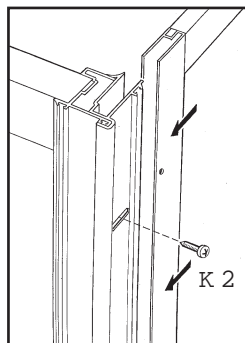


Diagram 20

(Diagram 18).

- 2 Position corner post (D2) on door frame upright and fasten using 4 No 8 x 3/8" screws (K2) (Diagram 19).

- 3 Locate side panel assembly into corner post on door frame assembly and fasten using 3 No 8 x 3/8" screws (K2) (Diagram 20).

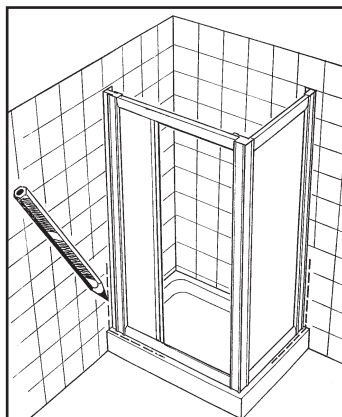


Diagram 21

- 4 Slot a wall channel into door frame upright (B2).

Note: One of the channels supplied with the door frame becomes redundant when fitting a side panel assembly. Slot the side panel

wall channel (B2) into side panel upright then lift the complete assembly onto the shower tray and locate in position. Mark the position of the wall channels at the base, then remove the assembly (Diagram 21).

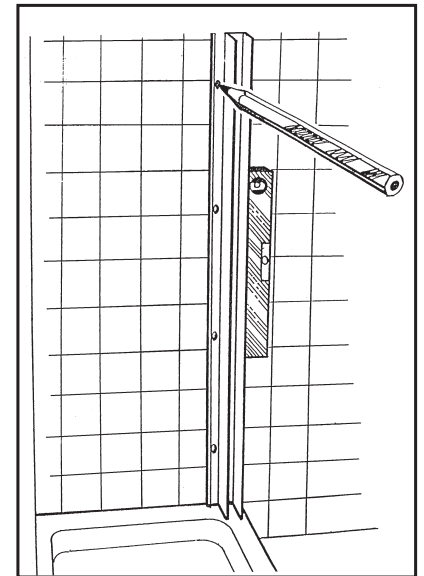


Diagram 22

Note: The enclosure must not overhang the edges of the shower tray, and the distance in from the edge should be equal all round (as per page 2).

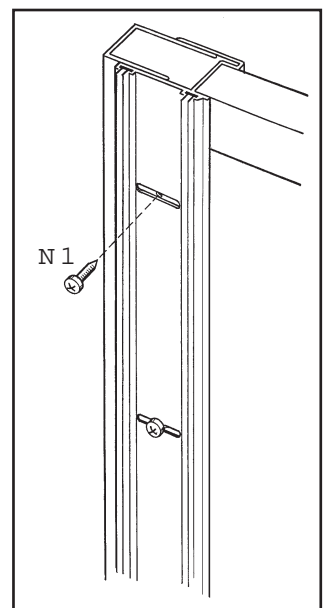


Diagram 23

- 5 Remove the wall channels from the frame and side panel and position on the shower tray against the marks made previously. Using a spirit level to check that the channels are vertical, mark through the slots to indicate the positions for drilling (Diagram 22).
 Note: When drilling ceramic tiles, it can be advantageous to cover the tiles with masking tape.

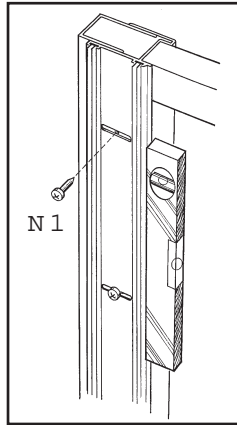


Diagram 24

- 6 Drill fixing holes using the 6mm masonry drill bit provided and insert wall plugs supplied with door frame pack (L1).
 Note: We recommend that suitable eye protection be worn when using power tools.

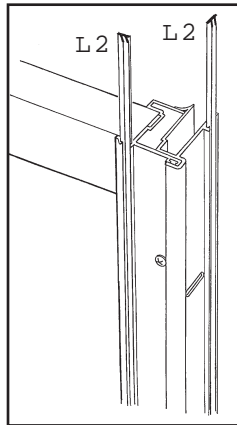


Diagram 25

- 7 Run a bead of silicone sealant down the back of each wall channel, encircling the screw holes, then screw the channels to the wall using 8 No 8 x 1 1/4" screws supplied with doorframe pack (M1).

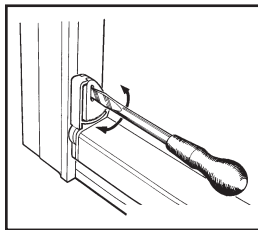


Diagram 11b

- 8 Position the door frame and side panel assembly on the shower tray and locate in the wall channels. Fasten door frame and side panel to wall channels through adjustment slots, 3 each

side, using 6 No 8 x 3/8" screws supplied with door frame pack (N1)

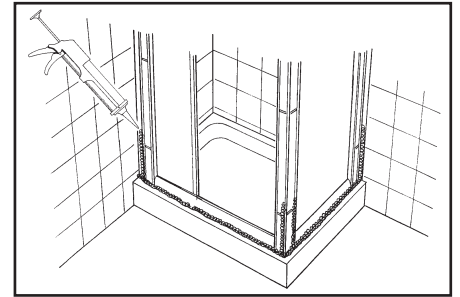


Diagram 26

(Diagram 23).

Set enclosure in correct position using a spirit level and adjustment provided by the adjustment slots ensuring the assembly is vertical in both directions (Diagram 24).

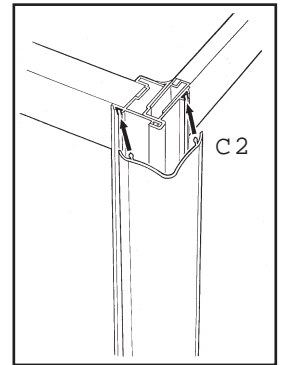


Diagram 27

- IMPORTANT - Ensure frame uprights are vertical and in-line with each other before final fixing.

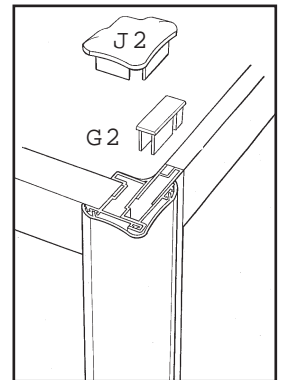


Diagram 28

PRODUCT MAINTENANCE

The unit can be cleaned using mild detergent and warm water. Abrasive cleaners must not be used.

TROUBLE SHOOTING - FULL OPENING DOOR

PROBLEM	CAUSE
Door catching on frame cross members.	a) Door frame not fastened to wall channels. b) Door panel not aligned correctly within door frame (Instruction 7 and Diagram 8).
Water deflector does not fit against door panel with door in closed position. 4).	a) Door frame uprights and wall channels not in line with other. Door frame is in a 'twist' condition (Instruction