

METROPOLITAN™

Live your life love your shower

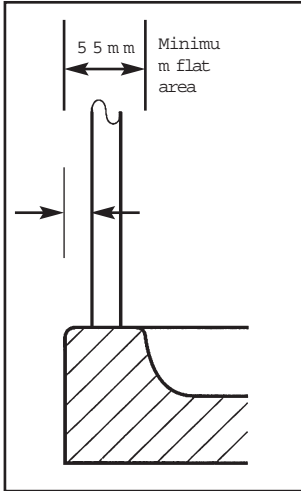
Full Opening Door *and* Side Panel

Fitting Instructions

Inspirational
Shower Enclosures

CHECK THAT

- There are no electrical cables or pipework behind the surface where drilling is required to fix the enclosure.



Recommended position of enclosure on shower

- The wall to which the enclosure is to be fitted is reasonably flat and that the shower base is level and stable.
- The dimensions of the shower base are suitable for the enclosure.
- Minimum flat area of the tray rim to be 55mm.
- The enclosure does not overhang the edges of the shower base.

Ensure that the shower base is adequately sealed to the adjacent walls before the enclosure is fitted. Correct sealing is essential - Please follow the instructions.

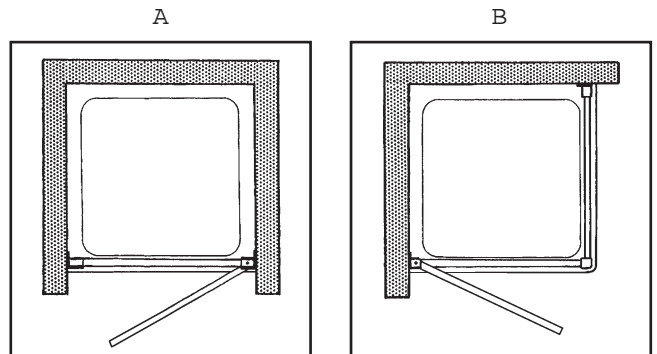
The screws and wall plugs provided are for use on masonry type walls. If the enclosure is to be fitted on another type of wall, e.g. plasterboard, then the appropriate fixings should be obtained.

Failure to follow the instructions may invalidate the guarantee.

PRODUCT DIMENSIONS

Refer to outer packaging for product details.

PRODUCT SIZE	DIMENSIONS A DOOR IN ALCOVE	DIMENSIONS B DOOR & SIDE PANEL
760	710-760	710-735
800	760-810	760-785
900	860-910	860-885



TOOLS REQUIRED

Power drill.
Spirit level.

TOOLS SUPPLIED

6mm masonry drill bit.
Pozidrive screw driver (PZ 2).
Screw retaining tube.

MATERIALS REQUIRED (NOT SUPPLIED)

Silicone sealant.

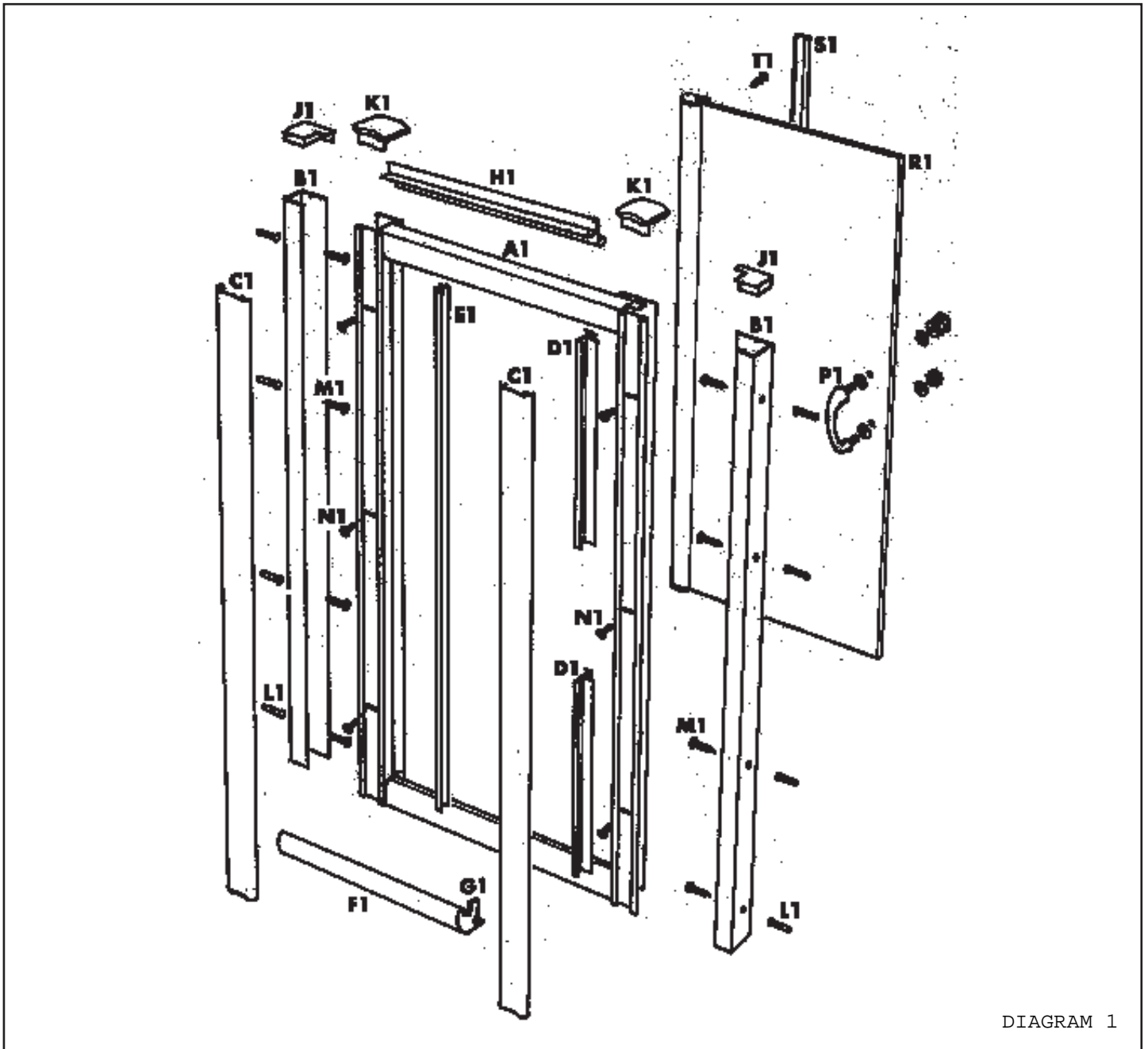


DIAGRAM 1

FULL OPENING DOOR FRAME PACK (SEE DIAGRAM 1)

1	Pivot door outer frame	(A1)	1	Internal top capping strip	(H1)
2	Wall channels	(B1)	1 each	Left & right hand channel top capping	(J1)
2	Outer cover strips	(C1)	1 each	Left & right hand frame top capping	(K1)
2	Closure frame capping strips	(D1)	8	Wall plugs	(L1)
1	Door seal	(E1)	8	No 8 x 1 1/4" screws	(M1)
1	Water deflector	(F1)	6	No 8 x 3/8" screws	(N1)
1	Water deflector arm	(G1)			

FULL OPENING DOOR PANEL PACK (SEE DIAGRAM 1)

1	Door panel	(R1)	2	No 8 x 5/8" counter sink screws	(T1)
1	Door panel capping strip	(S1)			

SIDE PANEL COMPONENT CHECK LIST

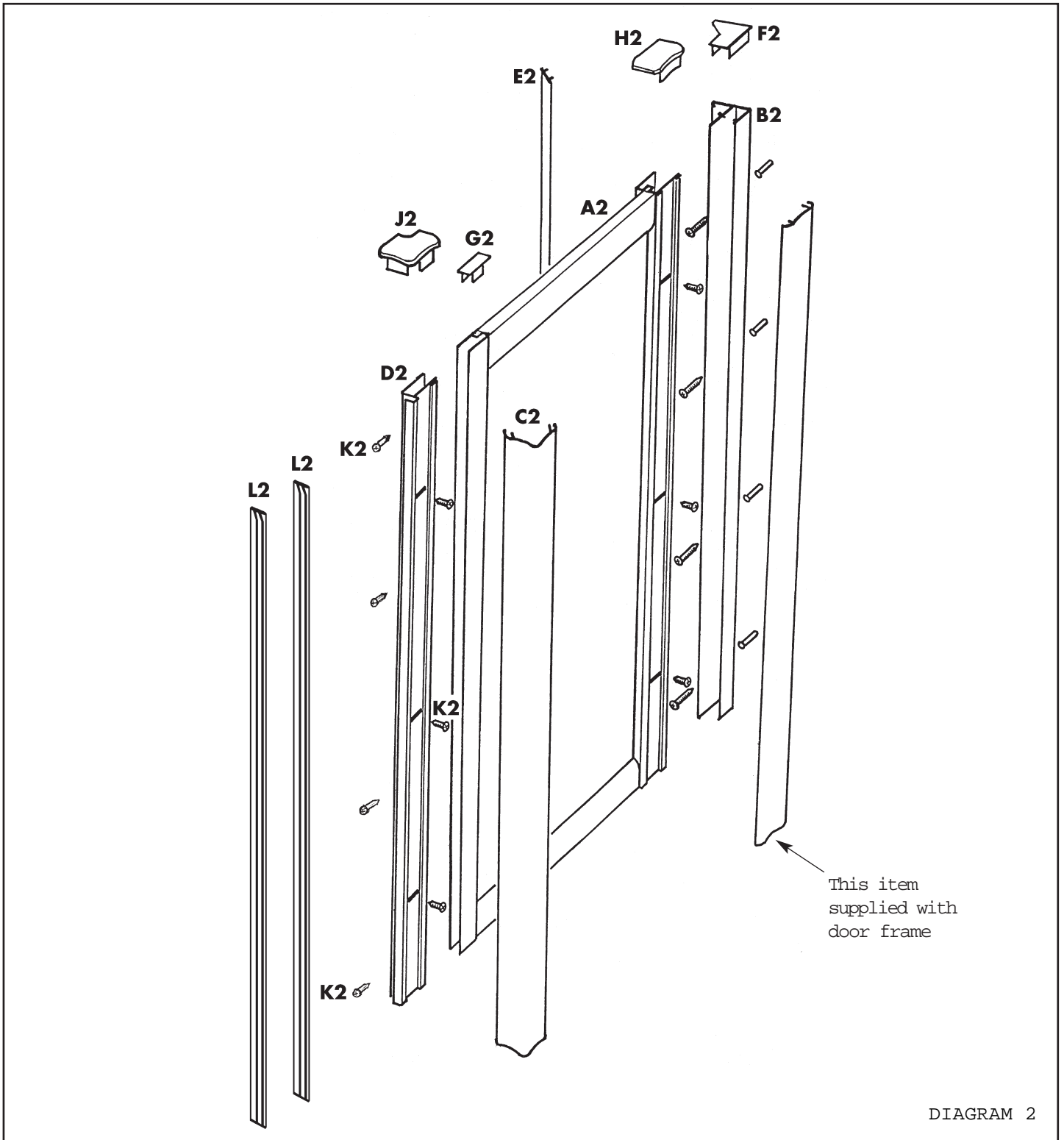


DIAGRAM 2

SIDE PANEL PACK (SEE DIAGRAM 2)

- | | | | | | |
|---|----------------------------|------|---|------------------------|------|
| 1 | Side panel assembly | (A2) | 1 | Frame top capping | (G2) |
| 1 | Wall channel | (B2) | 1 | Frame top capping | (H2) |
| 1 | Corner outer cover strip | (C2) | 1 | Corner top capping | (J2) |
| 1 | Corner post | (D2) | 7 | No 8 x 3/8" screws | (K2) |
| 1 | Wall channel capping strip | (E2) | 2 | Angled retaining clips | (L2) |
| 1 | Channel top capping | (F2) | | | |

NOTE

The door can be fitted either way to give a left or right hand opening.

- 1 Slot the wall channels (B1) onto the door frame assembly (A1). Offer the complete assembly to the shower tray and locate into position. Making sure that the door is set back from the

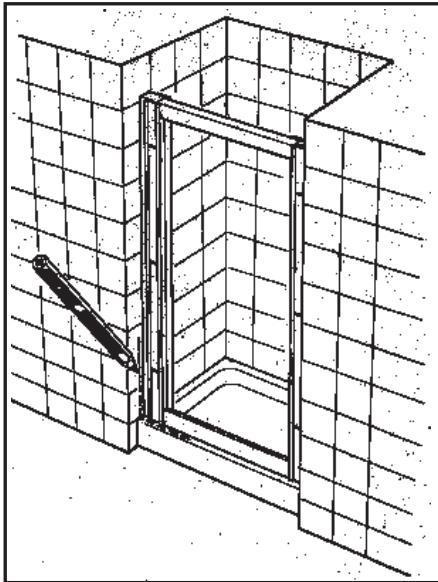


Diagram 3

edge of the shower tray (as per page 2), mark the position of the wall channels at the base and then remove the assembly (Diagram 3).

- 2 Remove the wall channels from the frame and position on the shower tray against the marks made previously. Using a spirit level to check that the channels are vertical, mark through the

adjustment slots to indicate the positions for drilling (Diagram 4). Note: When drilling ceramic tiles, it can be advantageous to cover the tiles with masking tape.

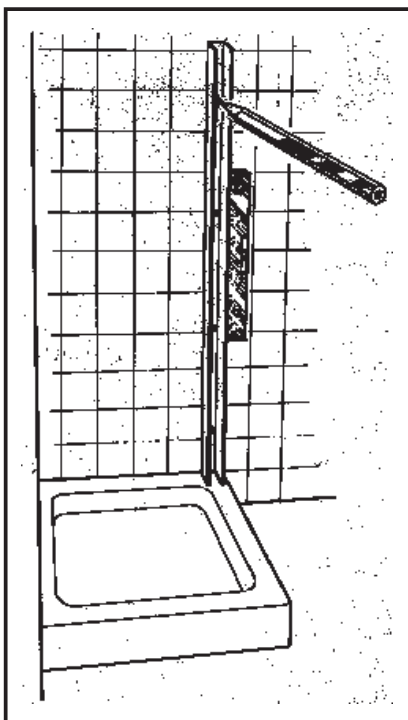


Diagram 4

- 3 Remove wall channels and drill fixing holes using the 6mm masonry drill bit

provided and insert the wall plugs (L1). Note: We recommend that suitable eye protection be worn when using power tools.

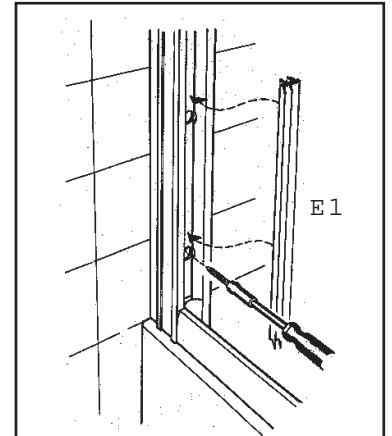


Diagram 5

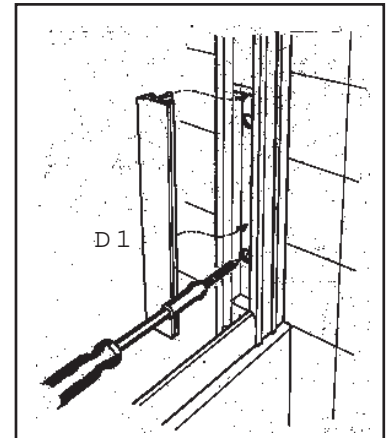


Diagram 6

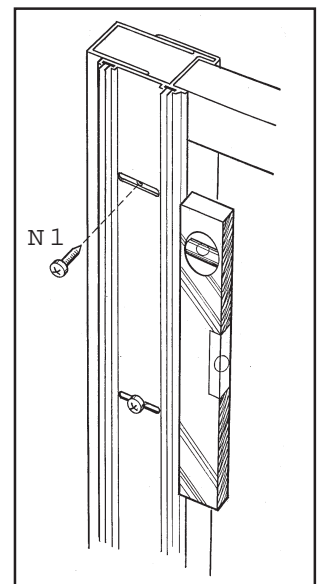


Diagram 7

- 4 Replace the wall channels onto the frame assembly and reposition the unit onto the shower tray. Run a bead of silicone sealant down the back of each wall channel encircling the screw holes, then screw the channels to the wall using 8 No 8 x 1¹/₄" screws (M1) (Diagrams 5 & 6).

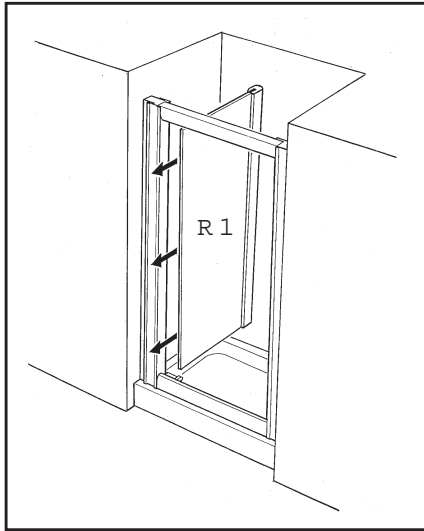


Diagram 8

Note: Use screwdriver with tube to 'start' screws only. Remove tube to tighten in position.

- IMPORTANT - Ensure frame uprights are vertical and in line with each other before final fixing.

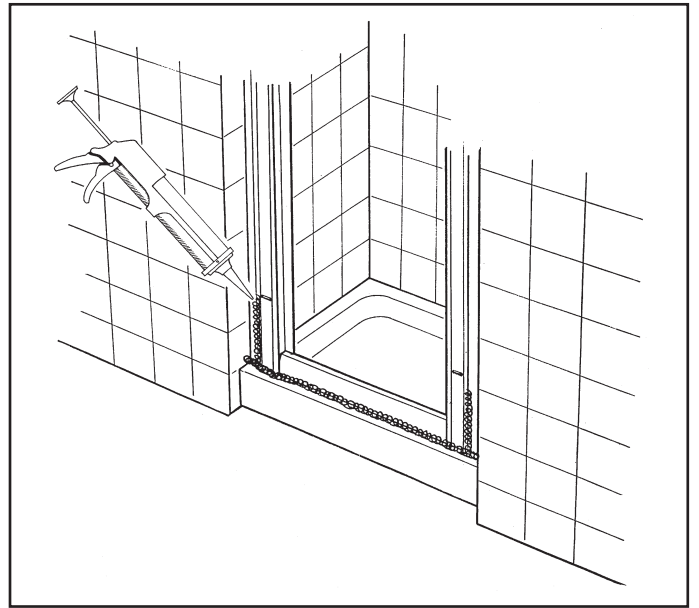


Diagram 13

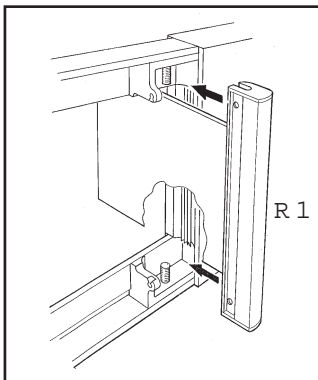


Diagram 9

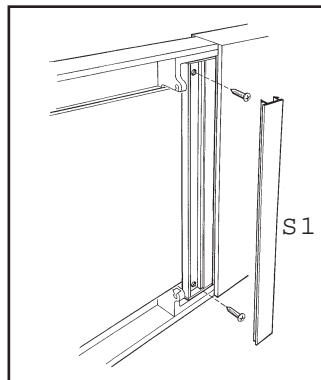


Diagram 10

- IMPORTANT - To assist with locating the screws into the wall plugs through the frame assembly use the screwdriver and screw retaining tube provided. Fit tube over the screwdriver leaving minimum amount of tube protruding to slide over screw head.

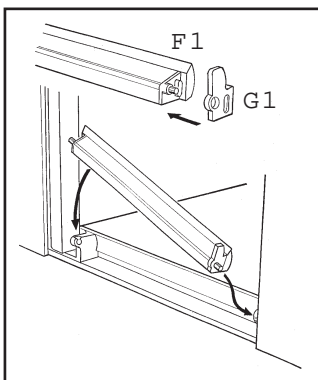


Diagram 11

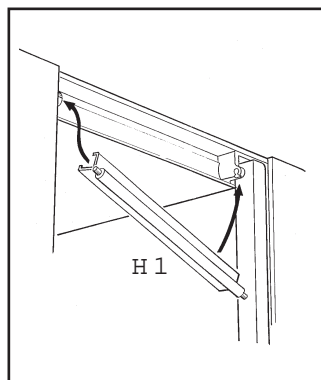


Diagram 12

- 5 Fasten frame assembly to wall channels through adjustment slots 3 each side using 6 No 8 x 3/8" screws (N1). The adjustment slots are used to position the frame central within the alcove and to ensure the frame uprights are vertical (Diagram 7).

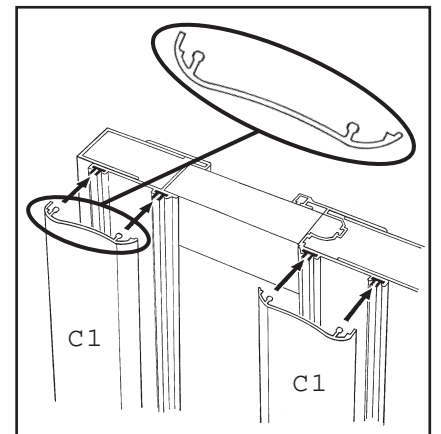


Diagram 14

- 6 Locate door seal (E1) and closure frame capping strips (x2) (D1) (Diagrams 5 & 6).

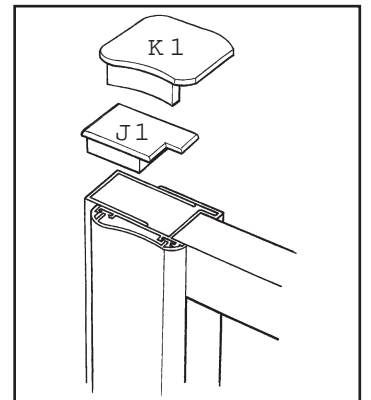


Diagram 15

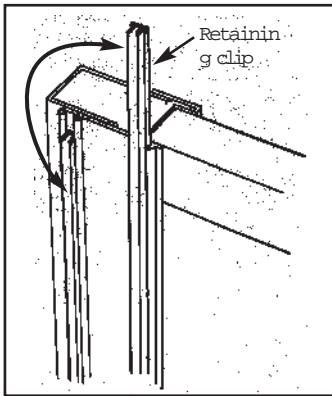


Diagram 16

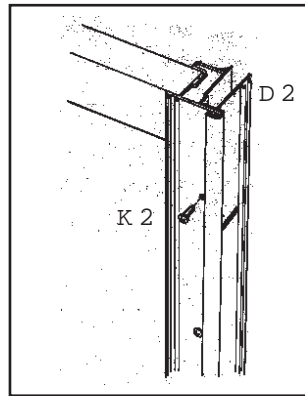


Diagram 17

1 Determine to which side of the door assembly the side panel is to be fitted. Remove both outer cover retaining clips from the doorframe upright and relocate in the side panel frame upright (Diagram 16).

2 Position corner post (D2) on door frame upright and fasten using 4 No 8 x 3/8" screws (K2) (Diagram 17).

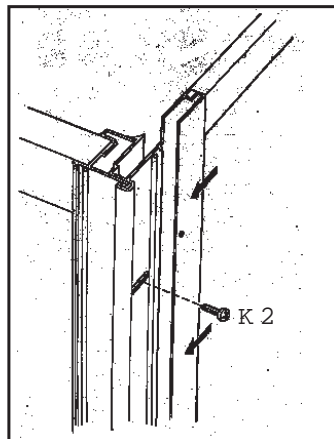


Diagram 18

3 Locate side panel assembly into corner post on door frame assembly and fasten using 3 No. 8 x 3/8" screws (K2) (Diagram 18).

4 Slot a wall channel into door frame upright (B1).
Note: One of the channels supplied with the door frame becomes redundant when fitting a side panel assembly. Slot the side panel wall channel (B2) into side panel upright then lift the complete assembly

onto the shower tray and locate in position. Mark the position of the wall channels at the base, then remove the assembly (Diagram 19).

Note: The enclosure must not overhang the edges of the shower tray, and the distance in from the edge

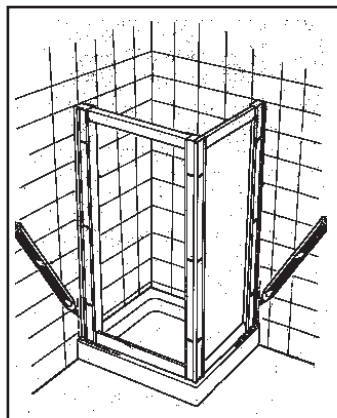


Diagram 19

should be equal all round (as per page 2).

5 Remove the wall channels from the frame and side panel and position on the shower tray against the marks made previously. Using a spirit level to check that the channels are vertical, mark through the slots to indicate the positions for drilling (Diagram 20).

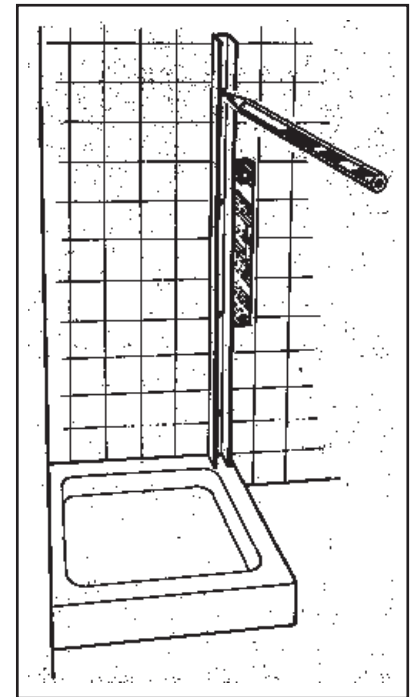


Diagram 20

Note: When drilling ceramic tiles, it can be advantageous to cover the tiles with masking tape.

6 Drill fixing holes using the 6mm masonry drill bit provided and insert wall plugs supplied with door frame pack (L1).
Note: We recommend that suitable eye protection be worn when using power tools.

7 Run a bead of silicone sealant down the back of each wall channel, encircling the screw holes, then screw the channels to the wall using 8 No 8 x 1 1/4" screws supplied with doorframe pack (M1).

8 Position the door frame and side panel assembly on the shower tray and locate in the wall channels. Fasten door frame and side panel to wall channels through adjustment slots 3 each side using 6 No 8 x 3/8" screws supplied with door frame pack (N1) (Diagram 21).

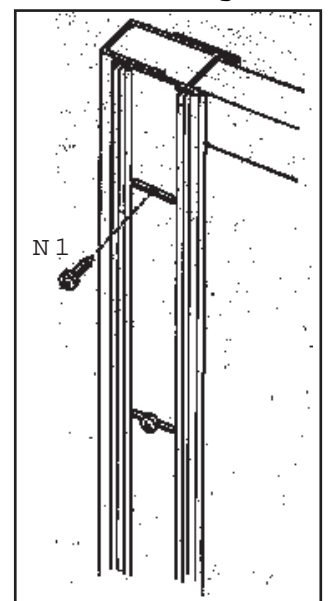


Diagram 21

Set enclosure in correct position using a spirit level and adjustment provided by the adjustment slots ensuring the assembly is vertical in both directions (Diagram 22).

- **IMPORTANT** - Ensure frame uprights are vertical and in-line with each other before final fixing.

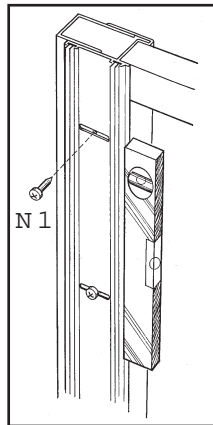


Diagram 22

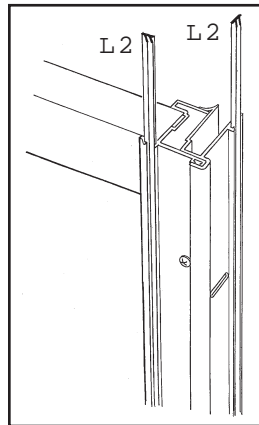


Diagram 23

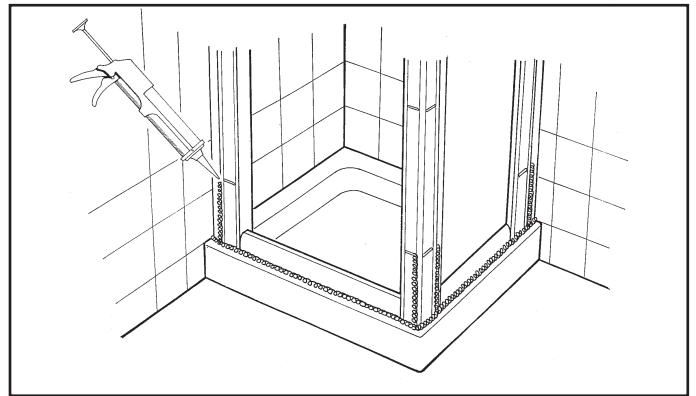


Diagram 24

- 9 Locate angled retaining clips (L2) in door frame and side panel corner post (Diagram 23).

- 10 Locate door seal (E1) and closure frame capping strips (x2) (D1) (Diagrams 5 & 6). Note: Correct fitting of door seal (E1).

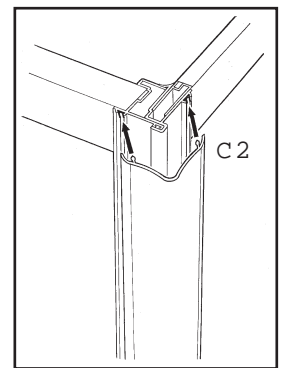


Diagram 25

- 11 Locate door panel assembly into the fixed frame by clipping onto hinge pins (Diagrams 8 & 9). Retain in position using 2 No 8 x $\frac{5}{8}$ " screws (T1), fit door panel capping strip (S1) (Diagram 10). Door panel may be aligned within the frame using the adjustment slots (Diagram 7). Moving the frame left or right will raise or lower the

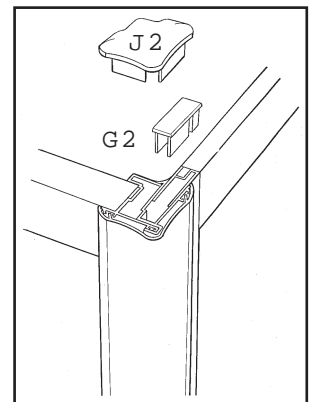


Diagram 26

PRODUCT MAINTENANCE

The unit can be cleaned using mild detergent and warm water. Abrasive cleaners must not be used.

TROUBLE SHOOTING - PIVOT DOOR

PROBLEM	CAUSE
Door catching on frame cross members.	a) Door frame not fastened to wall channels. b) Door panel not aligned correctly within door frame (Instruction 7 and Diagram 7).
Water deflector does not fit against door panel with door in closed position. 4).	a) Door frame uprights and wall channels not in line with other. Door frame is in a 'twist' condition (Instruction