

METROPOLITAN™

Live your life love your shower

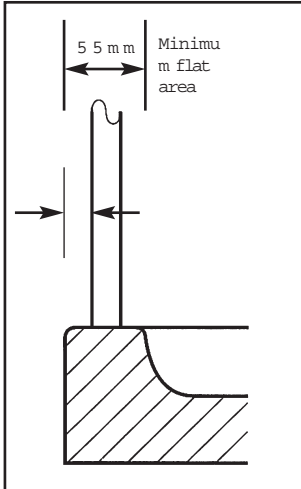
Quadrant Door

Fitting Instructions

Inspirational
Shower Enclosures

CHECK THAT

- There are no electrical cables or pipework behind the surface where drilling is required to fix the enclosure.



Recommended position of enclosure on shower

- The wall to which the enclosure is to be fitted is reasonably flat and that the shower base is level and stable.
- The dimensions of the shower base are suitable for the enclosure.
- Minimum flat area of the tray rim to be 55mm.
- The enclosure does not overhang the edges of the shower base.

Ensure that the shower base is adequately sealed to the adjacent walls before the enclosure is fitted. Correct sealing is essential - Please follow the instructions.

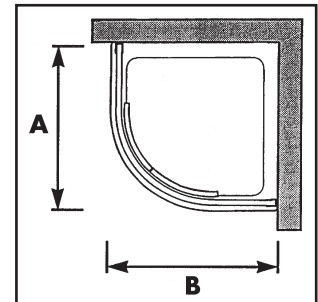
The screws and wall plugs provided are for use on masonry type walls. If the enclosure is to be fitted on another type of wall, e.g. plasterboard, then the appropriate fixings should be obtained.

Failure to follow the instructions may invalidate the guarantee.

PRODUCT DIMENSIONS

Refer to outer packaging for product details.

PRODUCT SIZE	DIMENSIONS A MIN. - MAX.	DIMENSION B MIN. - MAX.
900 x 900	870-895	870-895
900 x 1200	870-895	1170-1195



TOOLS REQUIRED

Power drill.
Spirit level.

TOOLS SUPPLIED

6mm masonry drill bit.
Pozidrive screw driver (PZ 2).
Screw retaining tube.
Allen key.

MATERIALS REQUIRED (NOT SUPPLIED)

Silicone sealant.

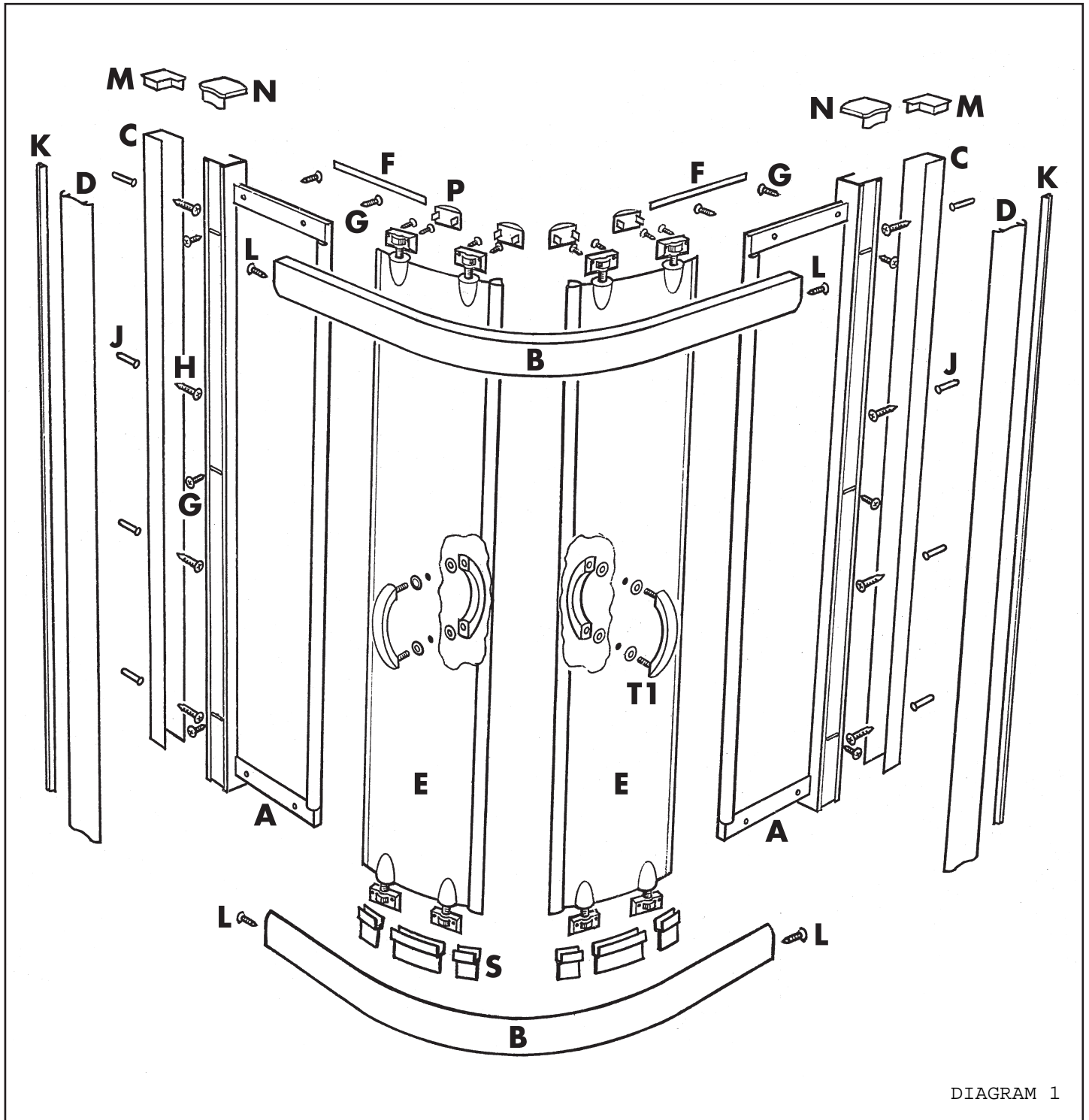


DIAGRAM 1

QUADRANT DOOR FRAME PACK (SEE DIAGRAM 1)

- | | | | | | |
|----|------------------------|-----|---|---|-----|
| 2 | Fixed panel assemblies | (A) | 8 | Wall plugs | (J) |
| 2 | Top and bottom rails | (B) | 2 | Wall channel capping strips | (K) |
| 2 | Wall channels | (C) | 4 | No 8 x 3/4" screws | (L) |
| 2 | Outer cover strips | (D) | 1 | each Left and right hand channel top cappings | (M) |
| 2 | Sliding door panels | (E) | 1 | each Left and right hand frame top cappings | (N) |
| 4 | Flexible cappings | (F) | 8 | Runner cover caps | (P) |
| 30 | No 8 x 3/8" screws | (G) | 2 | Handle sets | |
| 8 | No 8 x 1 1/4" screws | (H) | | | |

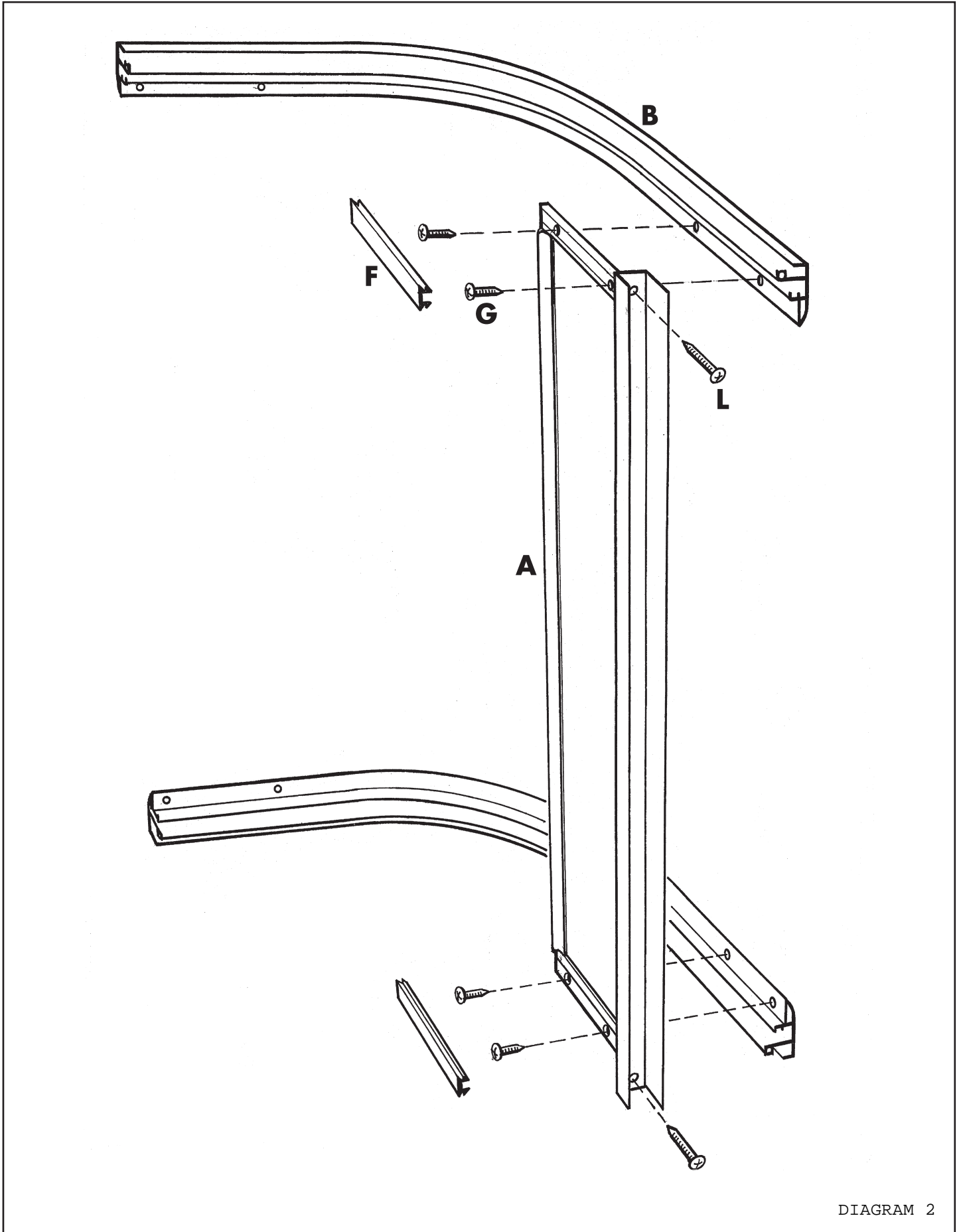


DIAGRAM 2

NOTE

The 900mm x 1200mm fixed panel assembly can be fitted either way up to give a left or right hand enclosure.

During the following operations it is advisable to seek assistance.

- 1 Fasten fixed panel assemblies (A) to top and bottom rails (B) using 8 No 8 x $\frac{3}{8}$ " screws (G) and 4 No 8 x $\frac{3}{4}$ " screws (L) (Diagram 2).
- 2 Fit flexible capping (F) to top and bottom rails on fixed panels (Diagram 2).
- 3 Slot the wall channels (C1) onto the door frame assembly. Offer the complete assembly to the shower tray and locate into position. Making sure that the door is set back from the edge of the shower tray (as per page 2), mark the position of the wall channels at the base and

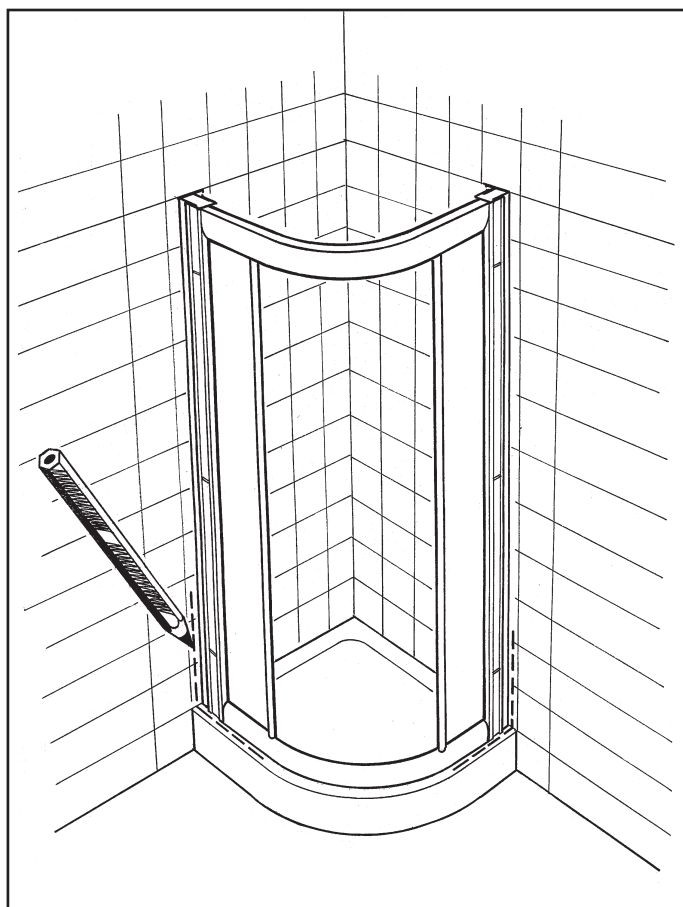


Diagram 3

then remove the assembly (Diagram 3).

- 4 Remove the wall channels from the frame and position on the shower tray against the marks made previously. Using a spirit level to check

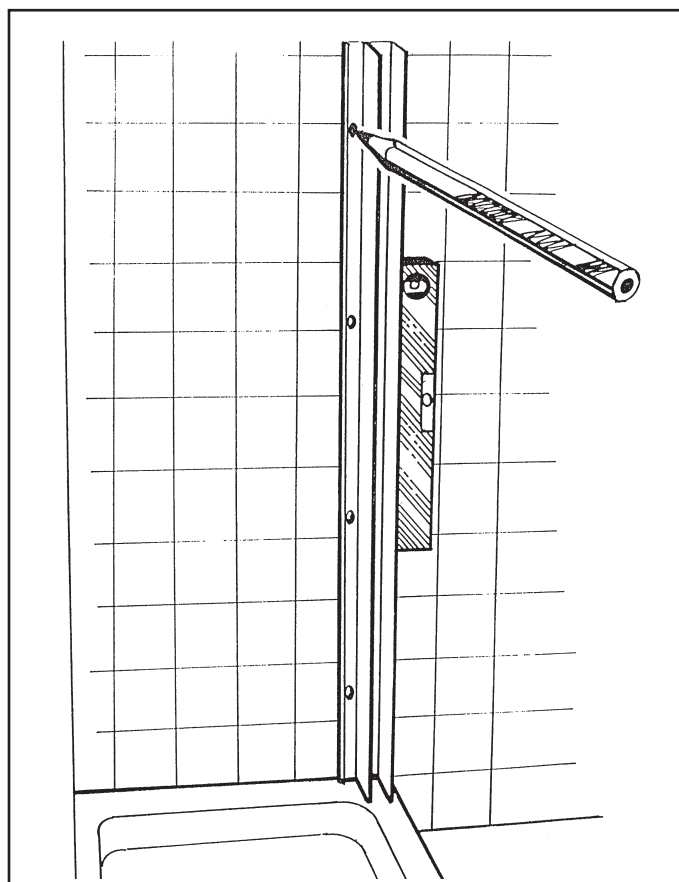


Diagram 4

that the channels are vertical, mark through the adjustment slots to indicate the positions for drilling (Diagram 4).

Note: When drilling ceramic tiles, it can be advantageous to cover the tiles with masking tape.

- 5 Remove wall channels and drill fixing holes using the 6mm masonry drill bit provided and insert the wall plugs (L1).

Note: We recommend that suitable eye protection be worn when using power tools.

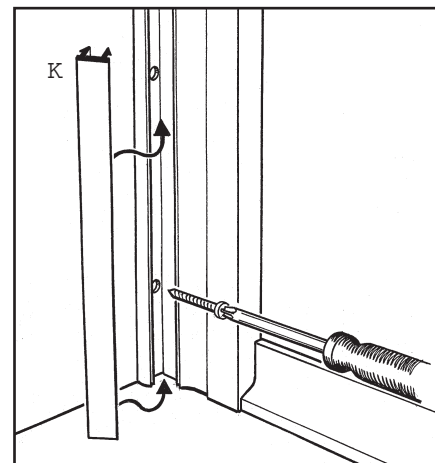


Diagram 5

- 6 Replace the wall channels onto the frame assembly and reposition the unit onto the shower tray. Run a bead of silicone sealant

down the back of each wall channel encircling the screw holes, then screw the channels to the wall using 8 No 8 x 1¹/₄" screws (M1) (Diagram 5).

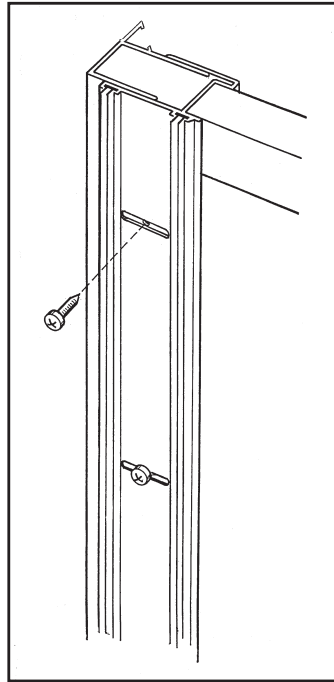


Diagram 6

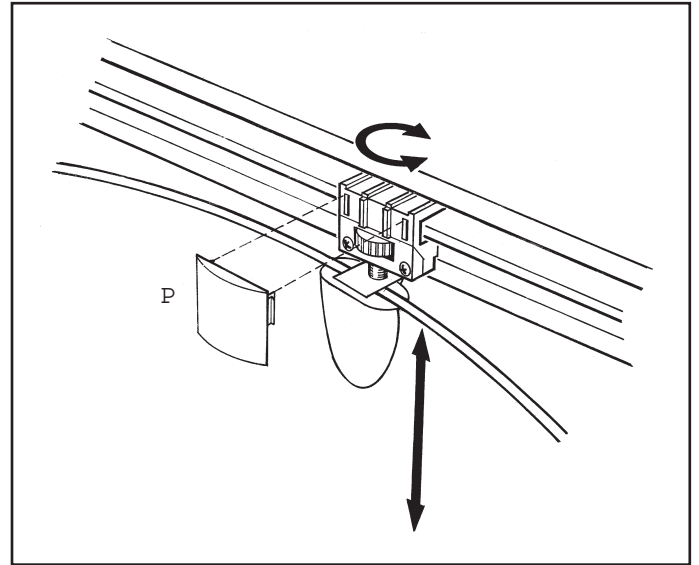


Diagram 8

7 Fasten frame assembly to wall channels through adjustment slots 3 each side using 6 No 8 x ³/₈" screws (G) (Diagram 6).

8 Fit sliding door panels (E) to frame assembly by locating thumb wheel adjusters into top and bottom runners. Fasten in position using 16 No 8 x ³/₈" screws (G).

• IMPORTANT -

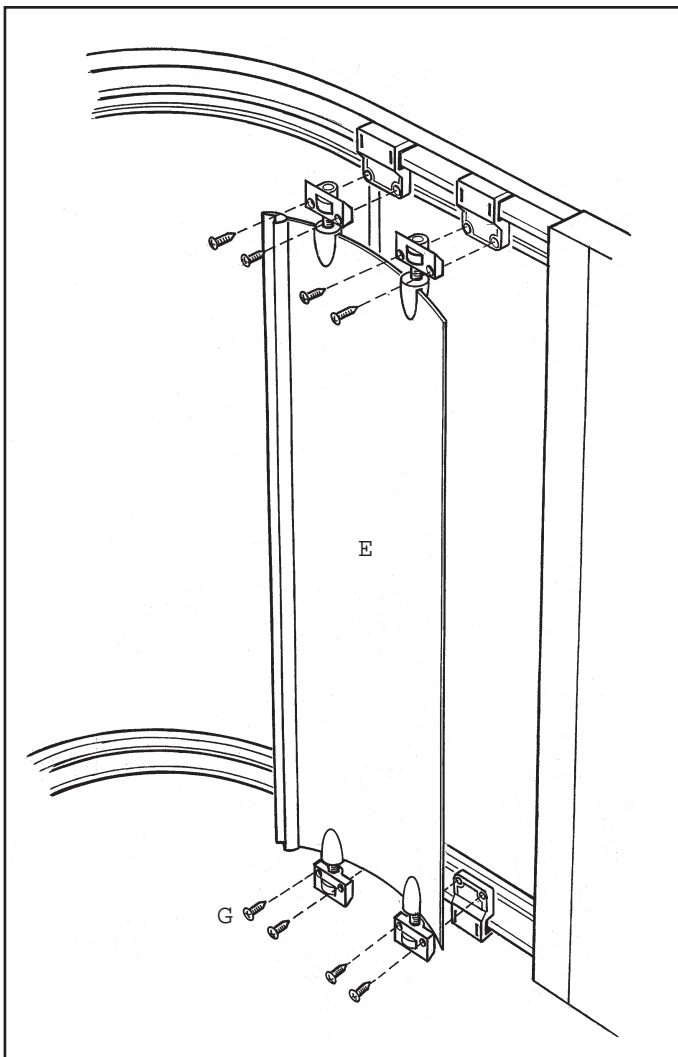


Diagram 7

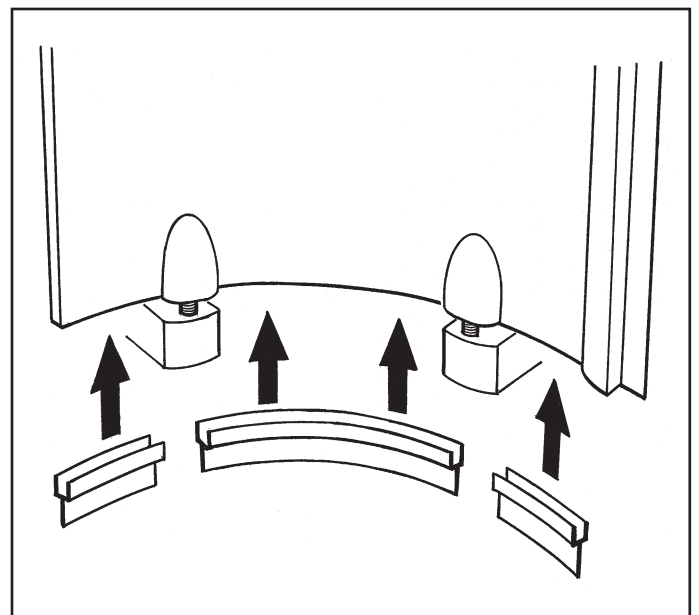


Diagram 9

Do not overtighten screws (G) (Diagrams 1 and 7).

- 9 Align the door panels within the frame using the thumb wheel adjusters to ensure the doors hang vertical and there is even contact on the door closure magnet seals. Fit runner cover caps (P) (Diagram 8).

Note: Sufficient adjustment has been provided to ensure that a satisfactory gliding action and door closure can be achieved.

- 10 Fit flexible water deflectors (S) to the bottom

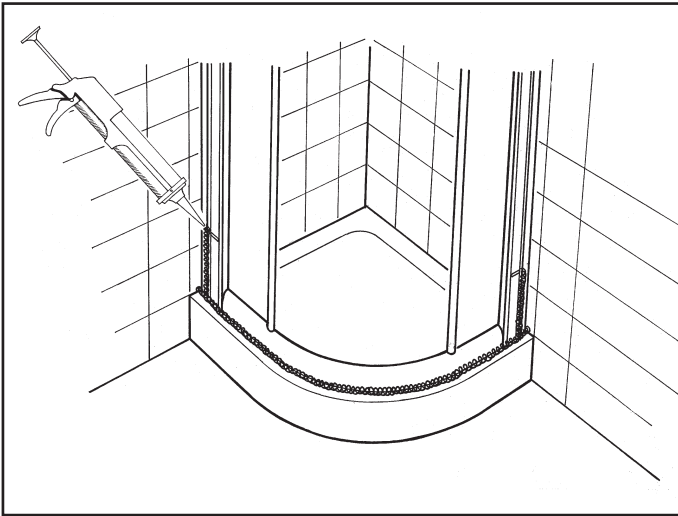


Diagram10

of the sliding doors (Diagram 9).

- 11 Sealing

Apply a narrow head of silicone sealant to the outside of the enclosure;

- a) between the frame base, frame upright base, the wall channel base, and the shower

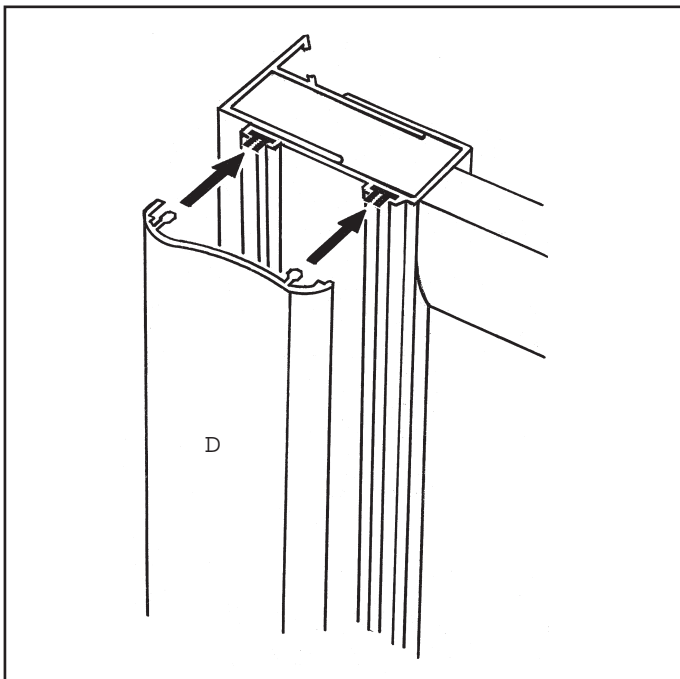


Diagram 11

tray,

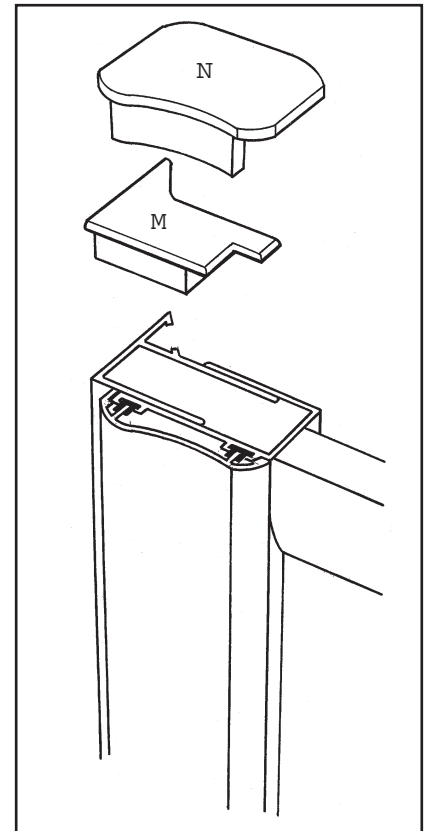


Diagram 12

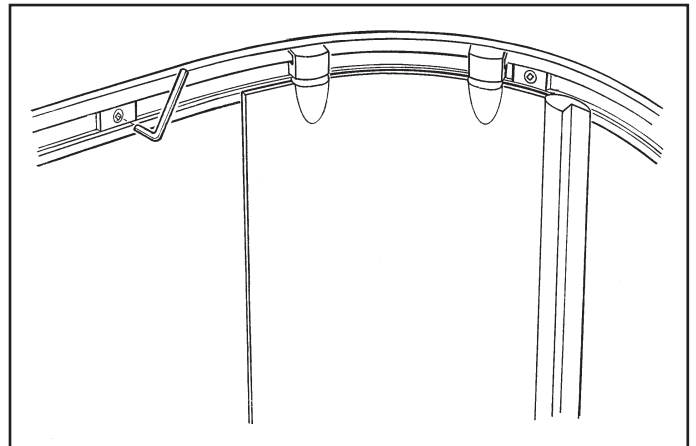


Diagram13

PRODUCT MAINTENANCE

The unit can be cleaned using mild detergent and warm water. Abrasive cleaners must not be used.

TROUBLE SHOOTING – QUADRANT DOOR

PROBLEM	CAUSE
Door panels not sliding or closing correctly.	<ul style="list-style-type: none"> a) Door panel not aligned within the frame. b) Thumb wheels not adjusted to best advantage (Instruction 9 and Diagram 8).
Water leaks between sliding doors and bottom rail, i.e. bounces back off shower tray base.	<ul style="list-style-type: none"> a) Flexible water deflectors not fitted or fitted incorrectly.
Water leaks from under the enclosure enclosure.	<ul style="list-style-type: none"> a) Shower tray not sealed to adjacent walls before fitting