

METROPOLITAN™

Live your life, love your shower.

Sliding Door

and

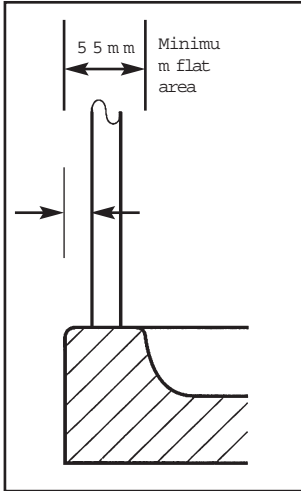
Side Panel

Fitting Instructions

Inspirational
Shower Enclosures

CHECK THAT

- There are no electrical cables or pipework behind the surface where drilling is required to fix the enclosure.



Recommended position of enclosure on shower

- The wall to which the enclosure is to be fitted is reasonably flat and that the shower base is level and stable.
- The dimensions of the shower base are suitable for the enclosure.
- Minimum flat area of the tray rim to be 55mm.
- The enclosure does not overhang the edges of the shower base.

Ensure that the shower base is adequately sealed to the adjacent walls before the enclosure is fitted. Correct sealing is essential - Please follow the instructions.

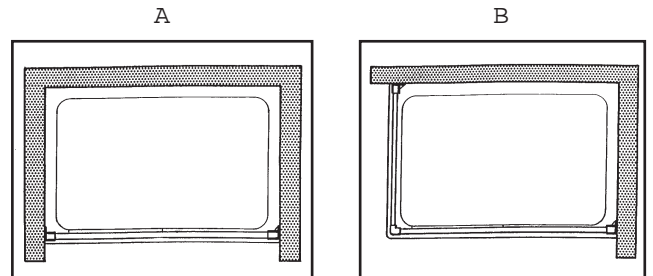
The screws and wall plugs provided are for use on masonry type walls. If the enclosure is to be fitted on another type of wall, e.g. plasterboard, then the appropriate fixings should be obtained.

Failure to follow the instructions may invalidate the guarantee.

PRODUCT DIMENSIONS

Refer to outer packaging for product details.

PRODUCT SIZE	DIMENSIONS A DOOR IN ALCOVE	DIMENSIONS B DOOR & SIDE PANEL
1200	1160-1210	1160-1185



TOOLS REQUIRED

Power drill.
Spirit level.

TOOLS SUPPLIED

6mm masonry drill bit.
Pozidrive screw driver (PZ 2).
Screw retaining tube.
Allen key

MATERIALS REQUIRED (NOT SUPPLIED)

Silicone sealant.

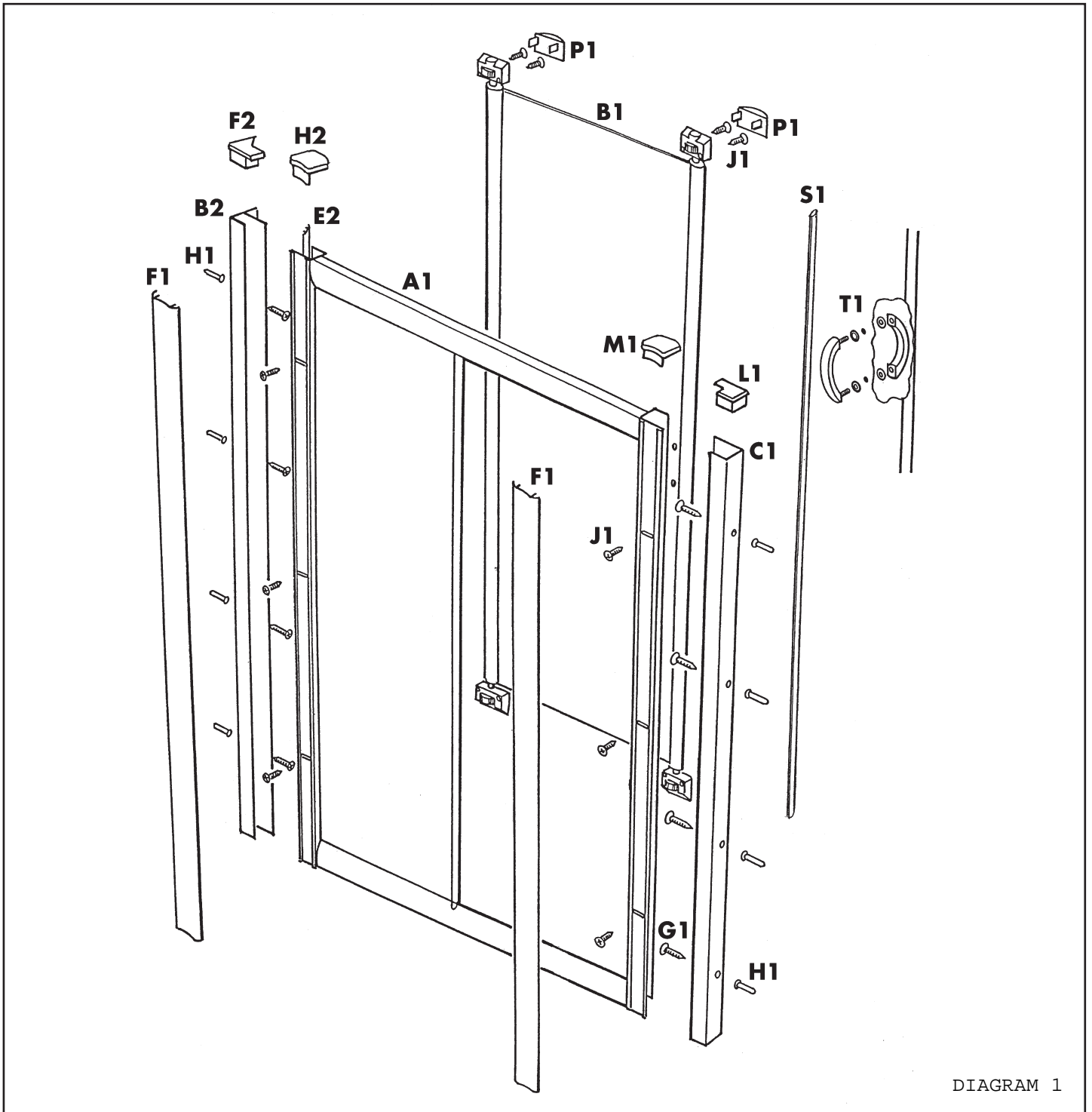


DIAGRAM 1

SLIDING DOOR FRAME PACK (SEE DIAGRAM 1)

1	Sliding door outer frame	(A1)	1 each	Left & Right hand channel top capping
1	Sliding door panel	(B1)	(L1)	
1	Wall channel	(B2)	1 each	Left & Right hand channel top capping
1	Wall channel	(C1)	(F2)	
2	Outer cover strips	(F1)	1 each	Left & Right hand frame top capping (M1)
8	No 8 x 1 1/4" screws	(G1)	1 each	Left & Right hand frame top capping (H2)
8	Wall plugs	(H1)	4	Runner cover caps (P1)
14	No 8 x 3/8" screws	(J1)	1	Flexible magnet seal (S1)

SIDE PANEL COMPONENT CHECK LIST

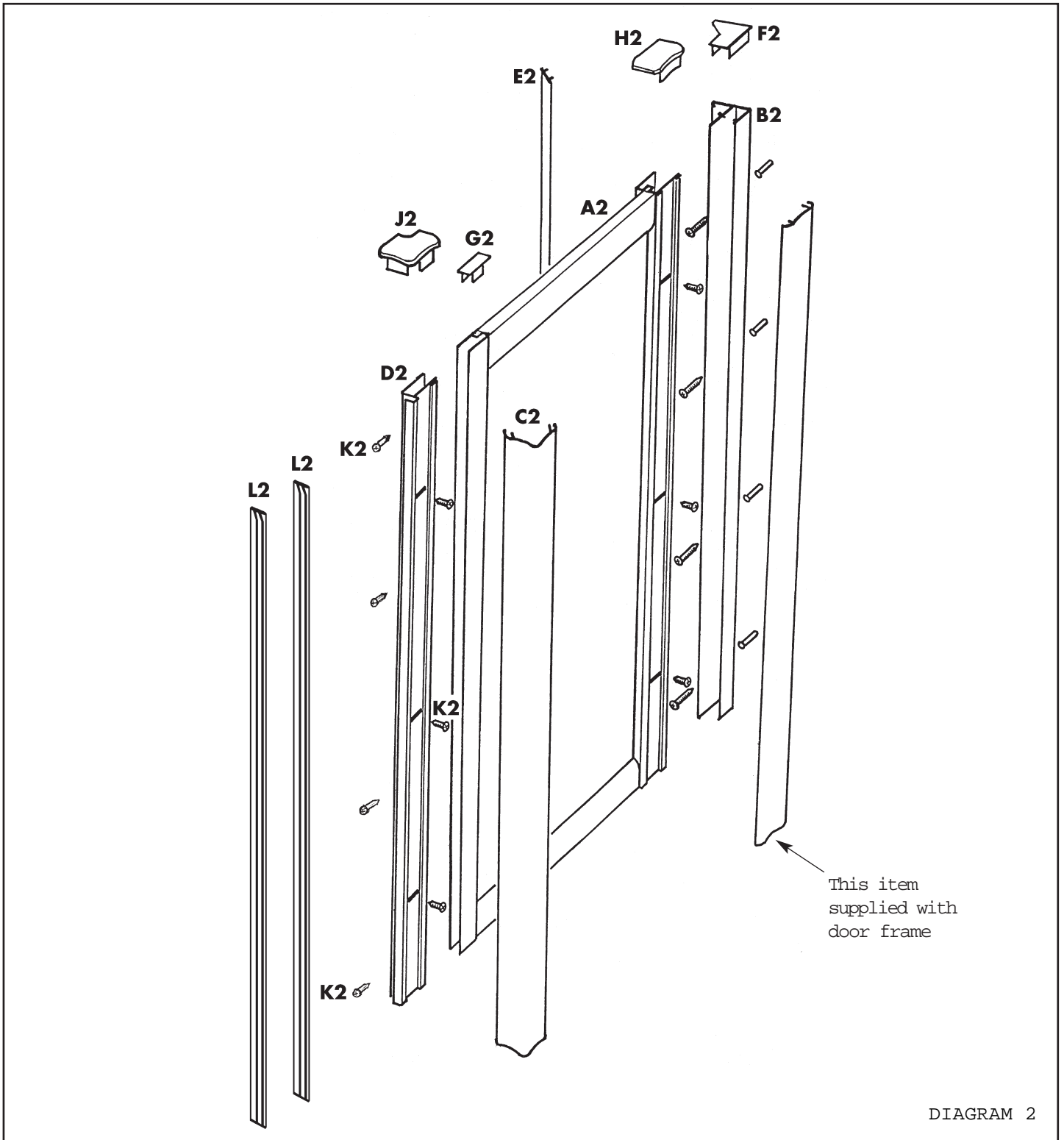


DIAGRAM 2

SIDE PANEL PACK (SEE DIAGRAM 2)

- | | | | | | |
|---|----------------------------|------|---|------------------------|------|
| 1 | Side panel assembly | (A2) | 1 | Frame top capping | (G2) |
| 1 | Wall channel | (B2) | 1 | Frame top capping | (H2) |
| 1 | Corner outer cover strip | (C2) | 1 | Corner top capping | (J2) |
| 1 | Corner post | (D2) | 7 | No 8 x 3/8" screws | (K2) |
| 1 | Wall channel capping strip | (E2) | 2 | Angled retaining clips | (L2) |
| 1 | Channel top capping | (F2) | | | |

NOTE

The door can be fitted either way to give a left or right hand opening.

- 1 Slot the wall channels (C1) & (B2) onto the door frame assembly. Offer the complete assembly to the shower tray and locate into position. Making sure that the door is set back from the edge of the shower tray (as per page 2), mark the position of the wall channels at the base and then remove the assembly

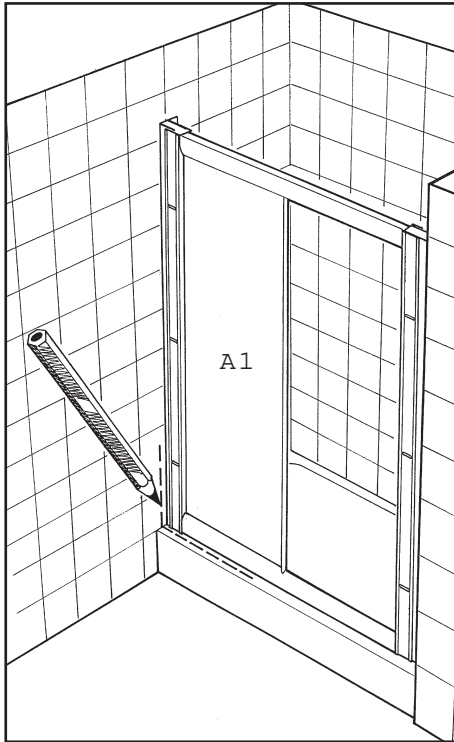


Diagram 3

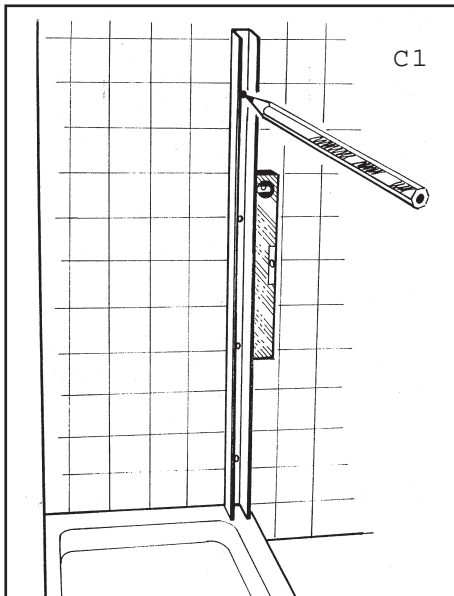


Diagram 4

(Diagram 3).

- 2 Remove the wall channels from the frame and position on the shower tray against the marks

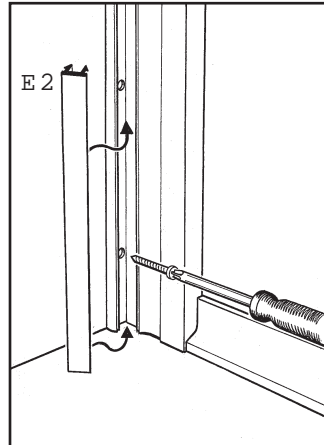


Diagram 5

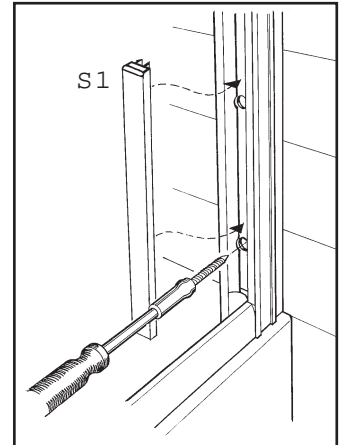


Diagram 6

made previously. Using a spirit level to check that the channels are vertical, mark through the adjustment slots to indicate the positions for drilling (Diagram 4).

Note: When drilling ceramic tiles, it can be advantageous to cover the tiles with masking tape.

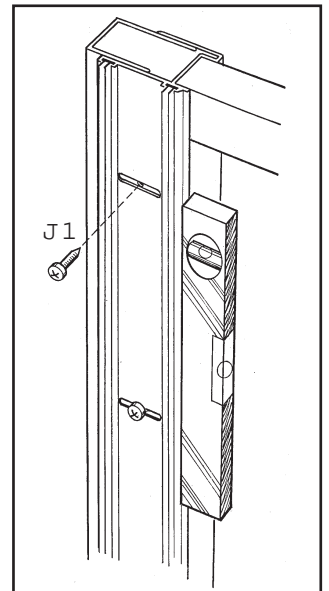


Diagram 7

- Remove wall channels and drill fixing holes using the 6mm masonry drill bit provided and insert the wall plugs (H1).
Note: We recommend that suitable eye protection be worn when using power tools.

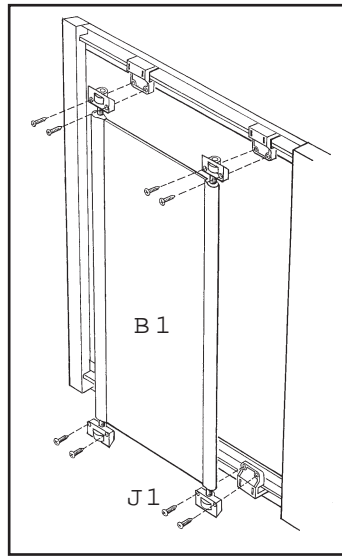


Diagram 8

- Replace the wall channels onto the frame assembly and reposition the unit onto the shower tray. Run a bead of silicone sealant down the back of each wall channel encircling the screw holes, then screw the channels to the wall using 8 No 8 x 1 1/4" screws (G1) (Diagrams 5 & 6).

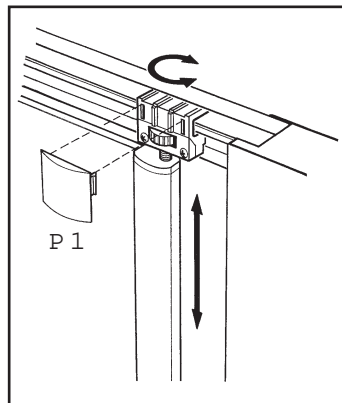


Diagram 9

- IMPORTANT - To assist with locating the screws into the wall plugs through the frame assembly use the screwdriver and screw retaining tube provided. Fit tube over the screwdriver leaving

minimum amount of tube protruding to slide over screw head.
Note: Use screwdriver with tube to 'start' screws only. Remove tube to tighten in position.

- IMPORTANT - Ensure frame uprights are vertical and in line with each other before final fixing.

- Fasten frame assembly to wall channels through adjustment slots 3 each side using 6 No 8 x 3/8" screws (J1). The adjustment slots are used to position the frame central within the alcove and to ensure the frame uprights are vertical (Diagram 7).

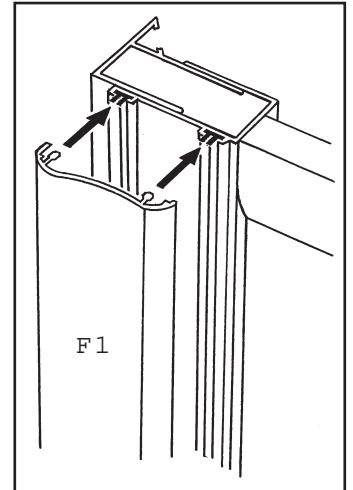


Diagram 11

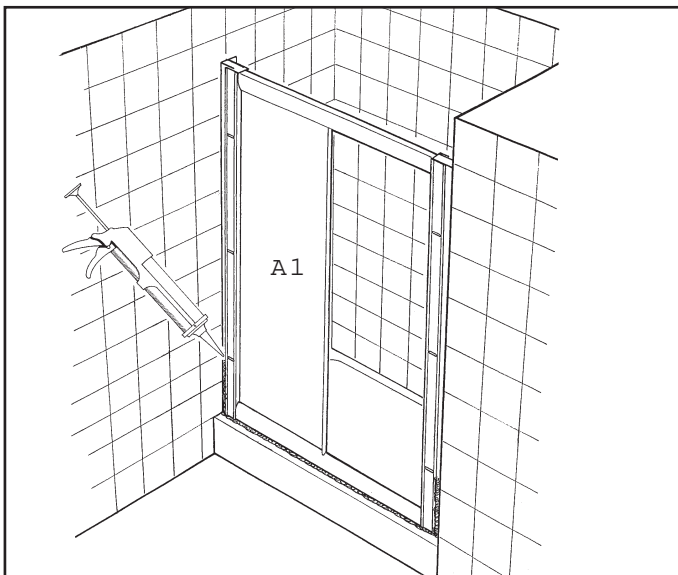


Diagram 10

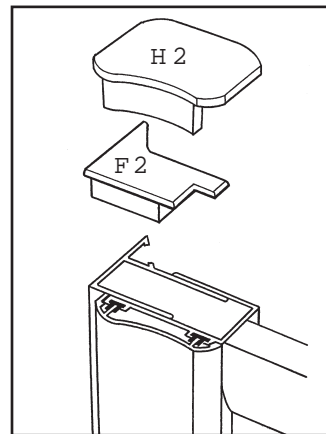


Diagram 12

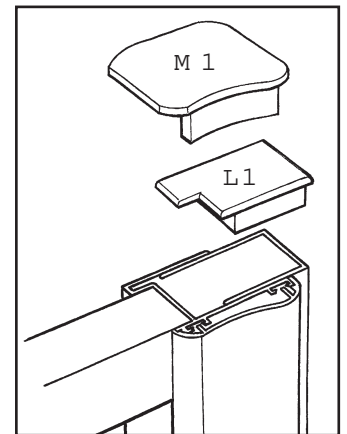


Diagram 13

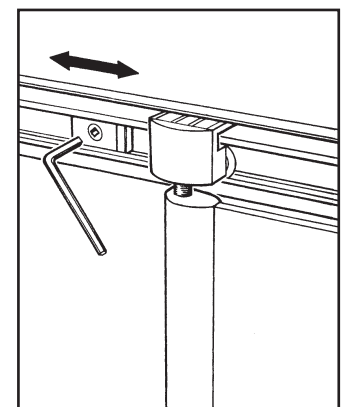


Diagram 14

NOTE

Side panel can only be fitted to the upright adjacent to the door closure features (Diagram 15).

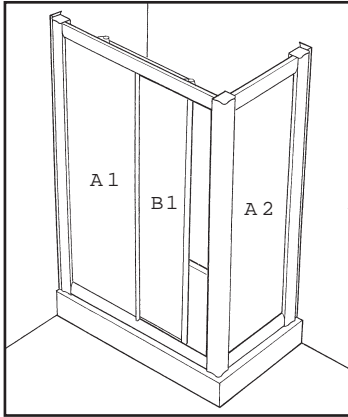


Diagram 15

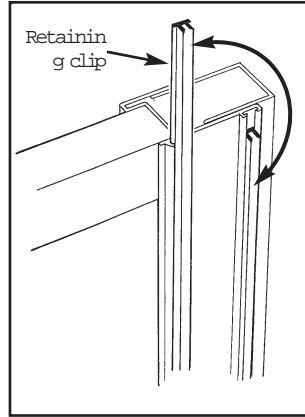


Diagram 16

- 1 Remove both outer cover retaining clips and the 4 spring clips from the door closure upright and relocate in the side panel frame upright (Diagram 16). Note position of spring clips, i.e. at least 15mm from top of upright.

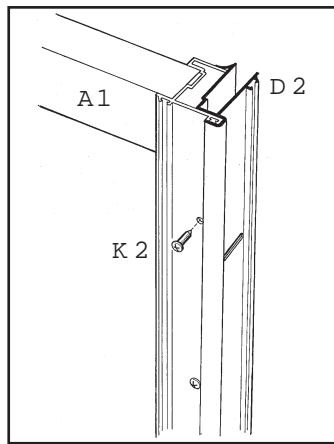


Diagram 17

- 2 Position corner post (D2) on door frame upright and fasten using 4 No 8 x 3/8" screws (K2) (Diagram 17).

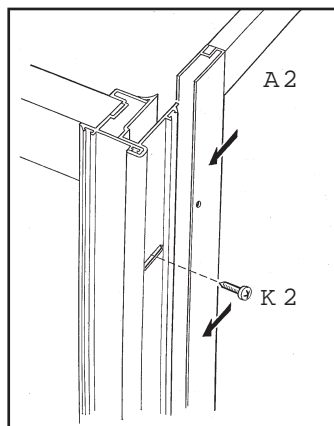


Diagram 18

- 3 Locate side panel assembly into corner post on door frame assembly and fasten using 3 No. 8 x 3/8" screws (K2) (Diagram 18).

- 4 Slot wall channel into door frame upright (B2). Note: One of the channels supplied with the door frame becomes redundant when fitting a side panel assembly. Slot the side panel wall channel (B2) into side panel upright then lift the complete assembly onto the shower tray and

locate in position. Mark the position of the wall channels at the base, then remove the assembly (Diagram 19). Note: The enclosure must not overhang the edges of the shower tray, and the distance in from the edge should be equal all round (as per page 2).

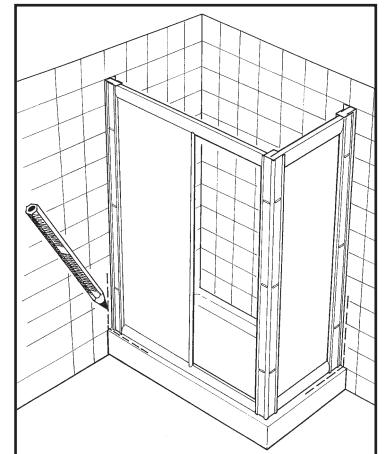


Diagram 19

- 5 Remove the wall channels from the frame and side panel and position on the shower tray against the marks made previously. Using a spirit level to check that the channels are vertical, mark through the slots to indicate the positions for drilling (Diagram 20).

Note: When drilling ceramic tiles, it can be advantageous to cover the tiles with masking tape.

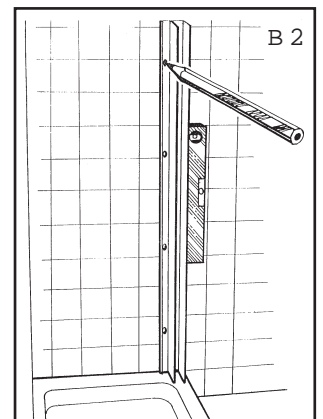


Diagram 20

- 6 Drill fixing holes using the 6mm masonry drill bit provided and insert wall plugs and insert wall plugs supplied with door frame pack (H1). Note: We recommend that suitable eye protection be worn when using power tools.

- 7 Run a bead of silicone sealant down the back of each wall channel, encircling the screw holes, then screw the channels to the wall using 8 No 8 x 1 1/4" screws supplied with doorframe pack (G1).

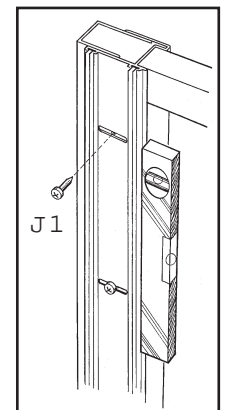


Diagram 21

- 8 Position the door frame and side panel assembly on the shower tray and locate in the wall channels. Fasten door frame and side panel to wall channels through adjustment slots 3 each side using 6 No 8 x 3/8" screws supplied with door frame pack (J1).

Set enclosure in correct position using a spirit level and adjustment provided by the adjustment slots ensuring the assembly is vertical in both directions (Diagram 21).

- IMPORTANT - Ensure frame uprights are vertical and in-line with each other before final fixing.

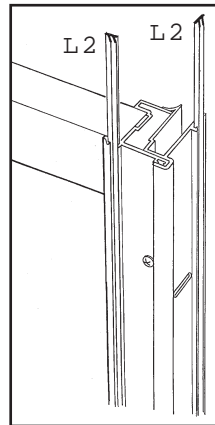


Diagram 22

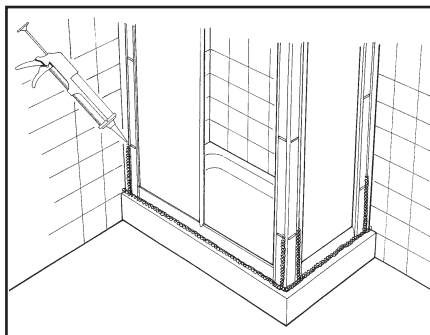


Diagram 23

- 9 Locate angled retaining clips (L2) in door frame and side panel corner post (Diagram 22).

- 10 Fit sliding door panel (B1) to frame assembly by locating thumb wheel adjusters into top and bottom runners. Fasten in position using 8 No 8 x $\frac{3}{8}$ " screws (J1). Note correct position for handle holes.

- IMPORTANT - DO NOT OVERTIGHTEN SCREWS (J1) (Diagram 8).

- 11 Fit flexible magnet seal (S1) to frame assembly ensuring seal is fitted correct way round (Diagram 6). Coloured dot on reverse side of magnet seal to line up with coloured dot in frame assembly. Align the door panel within the frame using the thumb wheel adjusters to ensure even contact with flexible seal. Note: Sufficient adjustment has been provided to ensure that satisfactory gliding action and door closure can be achieved. Fit runner cover caps (P1) (Diagram 9).

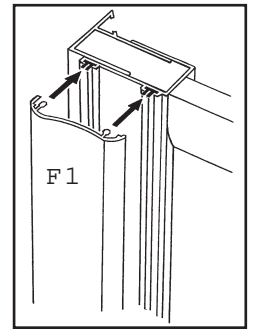


Diagram 24

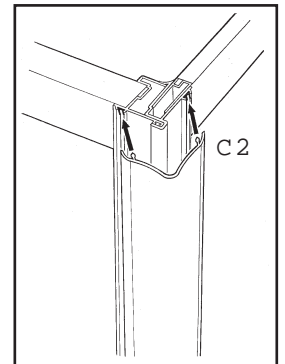


Diagram 25

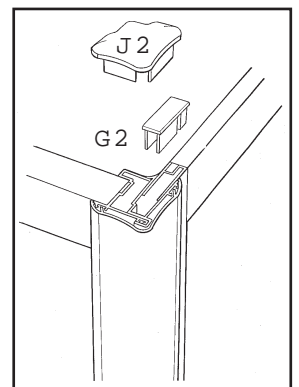


Diagram 26

PRODUCT MAINTENANCE

The unit can be cleaned using mild detergent and warm water. Abrasive cleaners must not be used.

TROUBLE SHOOTING - SLIDING DOOR

PROBLEM	CAUSE
Door panel not sliding correctly.	Thumb wheels not adjusted to best advantage. (Instruction 7, Diagram 9).
Door closure magnets not working.	Flexible magnet seal fitted upside down. Remove and refit.
Water leaks from under the enclosure enclosure.	a) Shower tray not sealed to adjacent walls before fitting