

Flexible Seal Kit Fitting Instructions

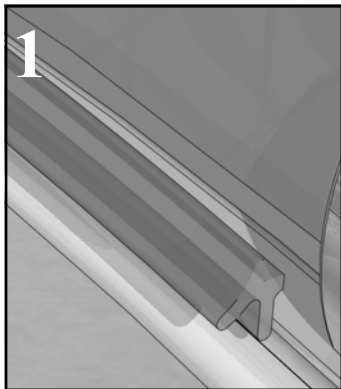
In certain applications the use of the flexible sealing kit may be required. The **Flexible Flipper Seals** in this kit can be used instead of **Fixed Panel Seals** (rigid) (M) provided with the enclosure. The **Fixed Panel Seal** is an additional seal.

Contents

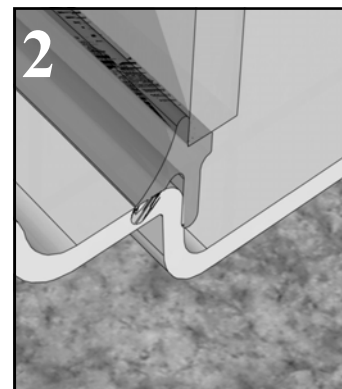
1 Fixed Panel Seal
Cut to required length



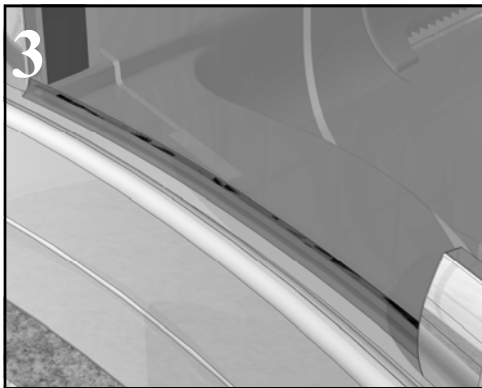
2 Flexible Flipper Seals
1 Left hand/1 Right hand



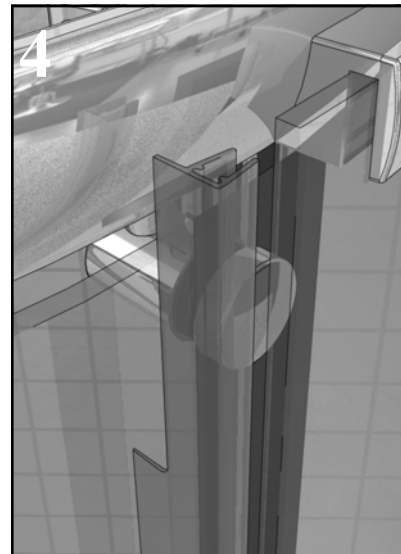
1
Cut the fixed panel seal to the desired length. This should be cut so it fits between the fixed panel bracket assembly (L) and the edge of the tray. (see diagram 3)



2
Insert the seal between the bottom edge of the fixed panel glass and the tray and push down until the seal sits flush on the tray. (see diagram 2)



3
If required repeat the process for the second fixed panel.



4
Fit the flexible flipper seal to the edge of the fixed glass panel. Ensure the fin of the seal points into the enclosure and the large cut out is at the top. If required fit seals to both fixed panels. (see diagram 4)